

## POSCON 20

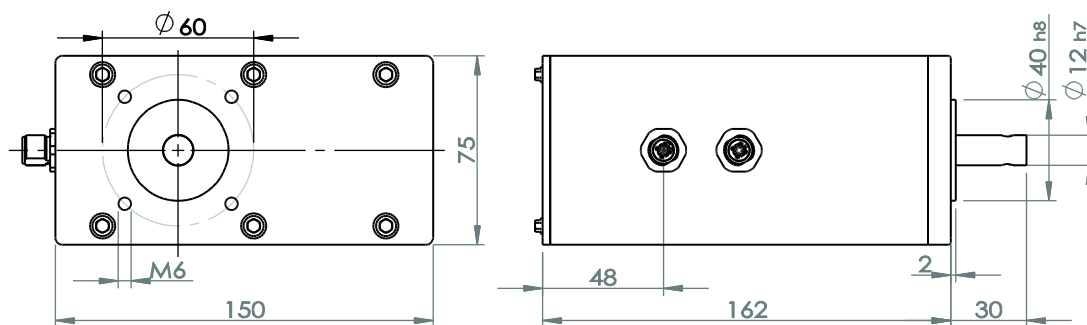
POSCON 20		
Motor speed 电机转速	rpm	4500
Motor voltage 电机电压	VDC	12
Motor power 电机功率	W	45
Gear ratio 速比		243.15
Output torque 输出扭矩	Nm	20
Max output torque 最大输出扭矩	Nm	27
Adjust speed 调节速度	rpm	18
Set angle 设定角度	°	180
Hysteresis area 死区范围	°	±1
Mechanical factory setting 机械出厂角度设定	°	0
Protection degree 防护等级		IP54
Storage temperature 存储温度范围	°C	-20...+70
Operation temperature 工作温度范围	°C	-10...+50
Force on shaft on axial 轴向力	N	200
Force on shaft on radial 径向力	N	200

### Pos 1: M12 4-Pin A-Coded male

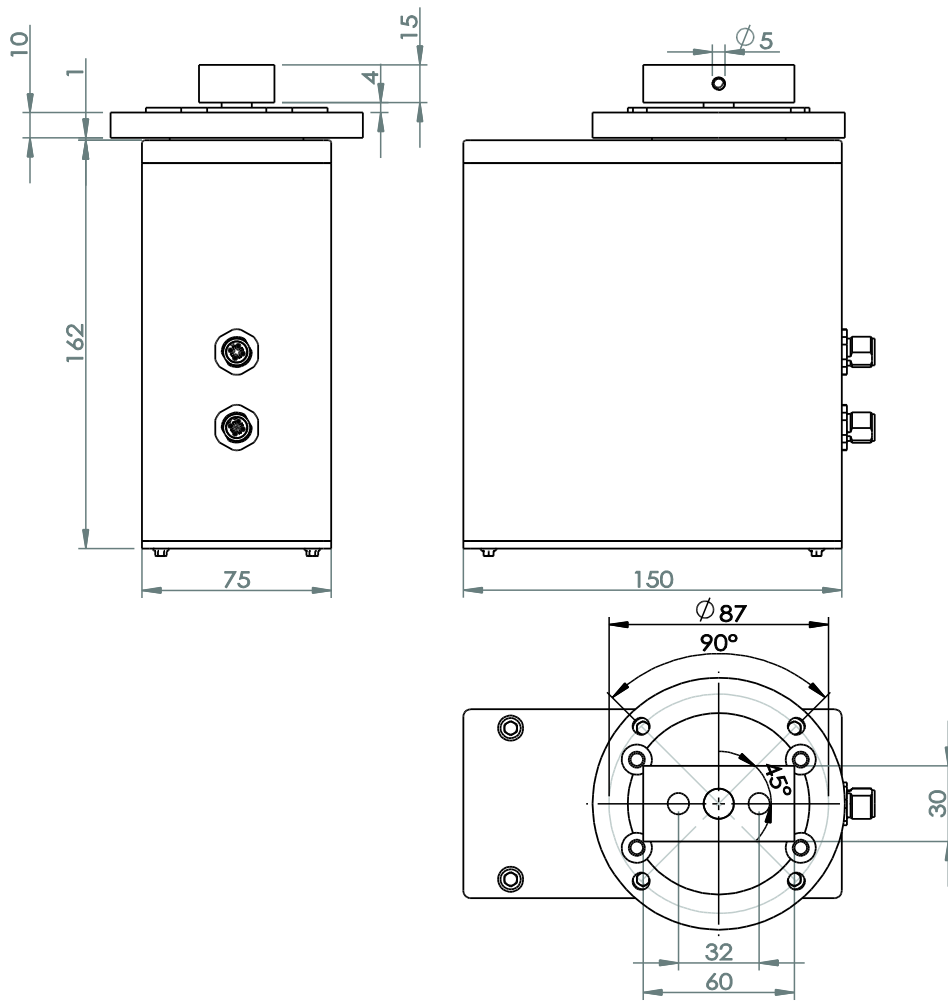
Pin	Color	Definition	Note
1	Brown	+24V	+24VDC power
2	White	0V	0V
3	Blue	Enable	Controller enable (+24VDC)
4	Black	Dir	Controller direction (+24VDC)

### Pos 2: M12 4-Pin B-Coded male

Pin	Color	Definition	Note
2	White	Pfbl	Left position feedback (+24VDC)
3	Blue	Pfbr	Right position feedback (+24VDC)



Type 1



Type 2