

Enginesound Positioning Controller

定位控制器

POSCON 10

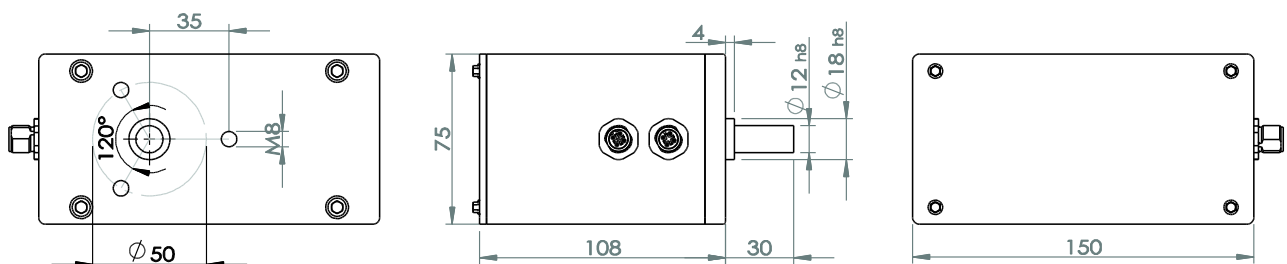
POSCON 10		
Motor speed 电机转速	rpm (50Hz)	250/375/450
Motor voltage 电机电压	VAC	24/230
Power consumption 功耗	W (50Hz)	2 ... 10
Gear ratio 速比		49 ... 2450
Max. output torque 最大输出扭矩	Nm	10
Adjust speed 调节速度	°/s	1.5
Set position voltage 设定位置电压	VDC	0...10
Actual position feedback 实际位置反馈电压	VDC	0...10
Hysteresis voltage 死区电压	mV	75
Set angle 设置角度	°	5...340
Non-linear area 非线性区	°	±1
Linearity 线性度	% (FS)	0.5 ... 1.0
Mechanical factory setting 机械出厂设定角度	°	2
Protection degree 防护等级		IP54
Storage temperature 存储温度范围	°C	-20...+70
Operation temperature 工作温度范围	°C	-10...+50
Force on shaft at axial 轴向力	N	200
Force on shaft at radial 径向力	N	200

Pos 1: M12 4-Pin A-Coded male

Pin	Color	Definition	Note
1	Brown	AI+	Set value 0...10Vdc
2	White	AI-	Com
3	Blue	N/O	Position feedback N/O
4	Black	N/O	Position feedback N/O

Pos 2: M12 4-Pin B-Coded male

Pin	Color	Definition	Note
1	Brown	L	24/230 VAC (L)
2	White	N	24/230 VAC (N)
3	Blue	Enable	Enable (24/230 VAC L)
4	Black	Enable	Enable (24/230 VAC N)



POSCON 20

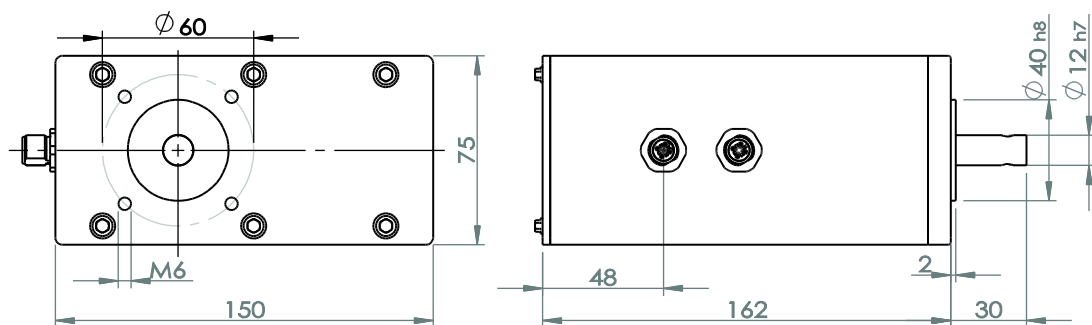
POSCON 20		
Motor speed 电机转速	rpm	4500
Motor voltage 电机电压	VDC	12
Motor power 电机功率	W	45
Gear ratio 速比		243.15
Output torque 输出扭矩	Nm	20
Max output torque 最大输出扭矩	Nm	27
Adjust speed 调节速度	rpm	18
Set angle 设定角度	°	180
Hysteresis area 死区范围	°	±1
Mechanical factory setting 机械出厂角度设定	°	0
Protection degree 防护等级		IP54
Storage temperature 存储温度范围	°C	-20...+70
Operation temperature 工作温度范围	°C	-10...+50
Force on shaft on axial 轴向力	N	200
Force on shaft on radial 径向力	N	200

Pos 1: M12 4-Pin A-Coded male

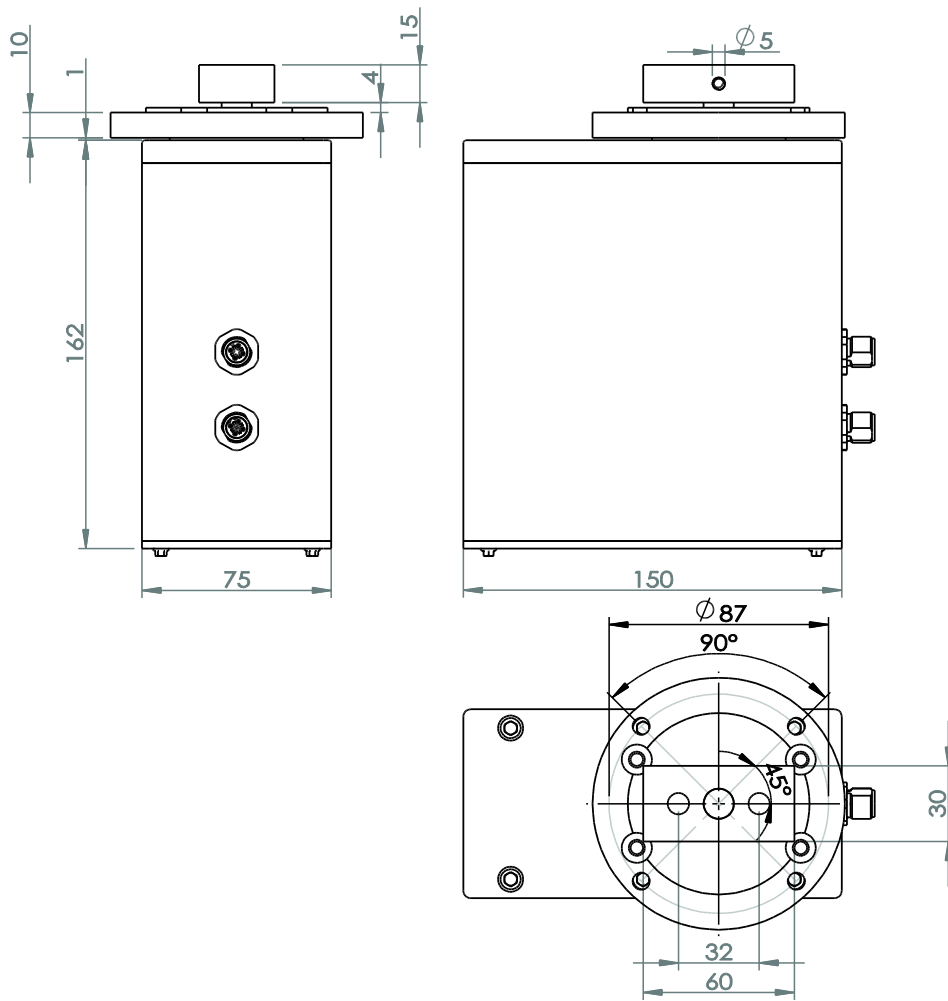
Pin	Color	Definition	Note
1	Brown	+24V	+24VDC power
2	White	0V	0V
3	Blue	Enable	Controller enable (+24VDC)
4	Black	Dir	Controller direction (+24VDC)

Pos 2: M12 4-Pin B-Coded male

Pin	Color	Definition	Note
2	White	Pfbl	Left position feedback (+24VDC)
3	Blue	Pfbr	Right position feedback (+24VDC)



Type 1



Type 2

MAXPOS 10

MAXPOS 10		
Motor specifications 电机特性		
Rated torque 额定扭矩	mNm	70
Rated speed 额定转速	rpm	5600
Rated current 额定电流	A	4.6
Efficiency 最大效率	%	70
Speed constant 速度常数	rpm/V	553
Torque constant 扭矩常数	mNm/A	17.3
Rotor inertia 转子惯量	gcm ²	95.88
Shaft load - radial at 3,000/20,000rpm (7mm from bearing) 径向力	N	45.5/24
Shaft load - axial at 3,000/20,000rpm (axial push-on only) 轴向力	N	36/24
Shaft load - axial at standstill (axial push-on only) 轴向力	N	60
Shaft play - radial 径向间隙	mm	0.015
Shaft play - axial (spring) 轴向间隙	mm	0.015

Positioning controller specifications 定位控制器特性		
Rated voltage 额定电压	VDC	24
Rated output torque 额定输出扭矩	Nm	12
Max output torque 最大输出扭矩	Nm	24
Mechanical factory setting 出厂设定	°	0
Position accuracy 定位精度	°	0.1
Protection degree 防护等级		IP54
Storage temperature 存储温度范围	°C	-30...+85
Operation temperature 工作温度范围	°C	-20...+70
Force on shaft on axial 轴向力	N	150
Force on shaft on radial 径向力	N	185

M12 4-Pin A-Code		
Pin	Define	Note
1	+24VDC	Power
2	GND	Power ground
3	Enable	Controller enable
4	Direction	Controller direction

M12 4-Pin B-Code		
Pin	Define	Note
1	DI1	Digital input 1
2	DI2	Digital input 2
3	DI3	Digital input 3
4	GND	GND

D Sub9 pin male		
Pin	Define	Note
1	CAN-H	CAN high
2	CAN-L	CAN low
3	GND	GND
4	RxD	RS-485 Rx
5	TxD	RS-485 Tx
6	GND	GND
7	AI+	Analog input 1+
8	AI-	Analog input 1-
9	N/A	N/A

