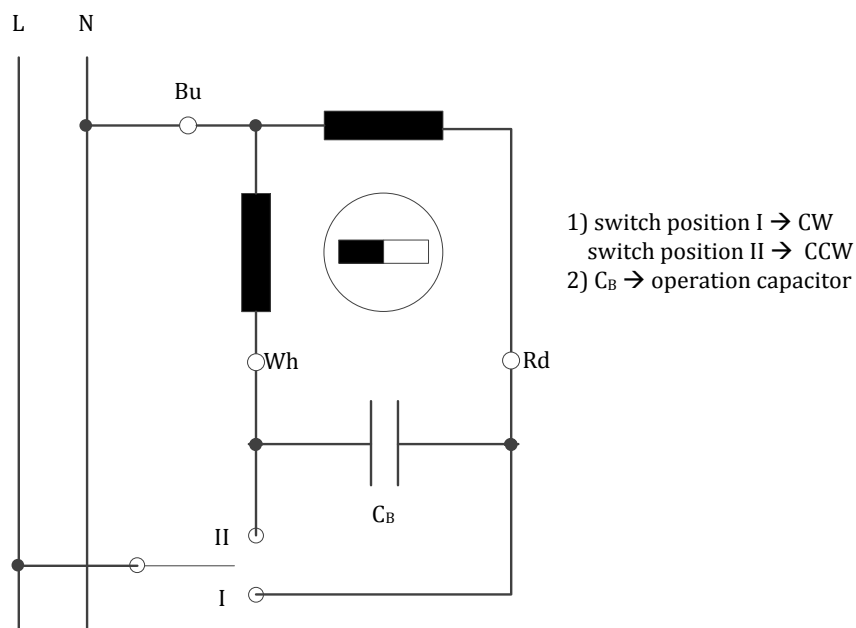


Synchronous motor 35S-12 同步电机 35S-12

Technical Data 技术数据

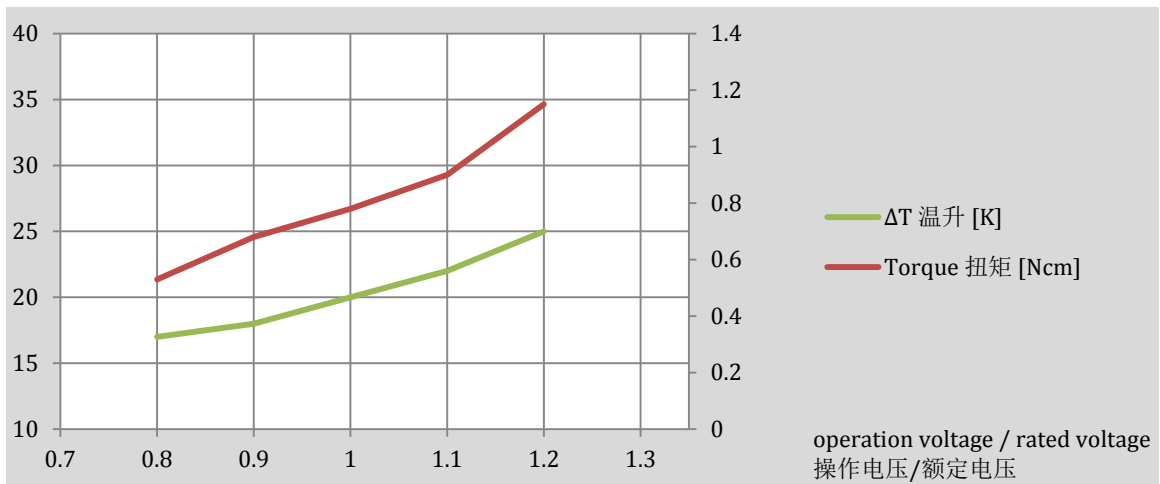
Item	Unit	Frequency	
		50 Hz	60 Hz
Rated speed 额定转速	rpm	250	300
Synchronous torque 同步扭矩	Ncm	1.42	1.38
Delivery of power 输出功率	W	0.37	0.43
Power consumption 功耗	W	1.1	1.2
Rated current (230 V) 额定电流	mA	10	10.6
Operating capacitor 电容	F	0.15	0.15
Max. externally permitted mass moment of inertia 允许的最大外部惯量	gcm ²	22.5	8.8
Self-holding torque, typical 自锁扭矩	Ncm	0.2	0.2
Winding temperature rise 绕组温升	K	20	27
Permitted radial force 允许径向力 F_r	N	3	3
Permitted axial force 允许轴向力 F_{as}	N	1	1
Weight 重量	kg	0.09	0.09
Protection grade 防护等级		IP 41	
Insulation class 绝缘等级		E	
Dielectric strength 介电强度		according to IEC 60034-1	

Ordering code 订货号		100135		100137		100138	
Rated voltage 额定电压	V	230		48		24	
Frequency 频率	Hz	50	60	50	60	50	60
Operating capacitor 电容	F	0.15	0.15	1	1	3	3
Rated current 额定电流	mA	10	10.6	22.5	23.9	45.2	47.9

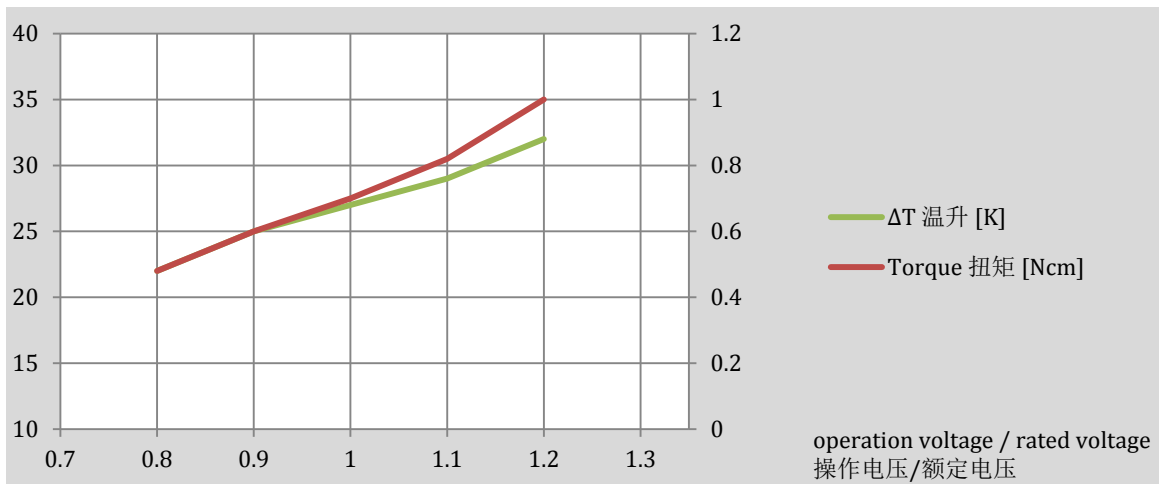


Wiring 35s-12 接线图

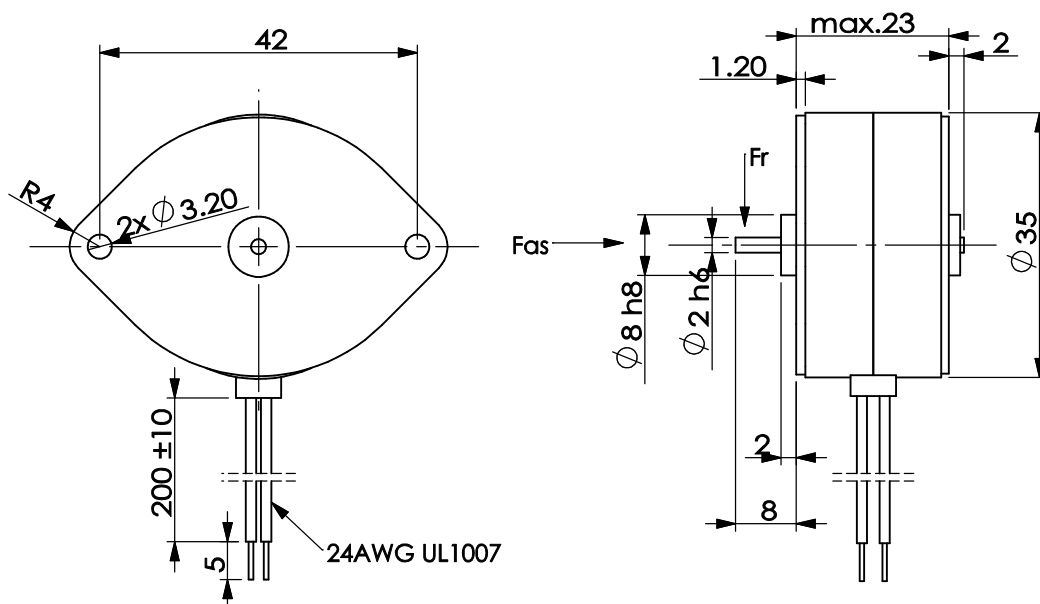
Synchronous motor 35S-12 同步电机 35S-12



Characteristic curve 35s-12 at 50 Hz 特性曲线@50 Hz



Characteristic curve 35s-12 at 60 Hz 特性曲线@60 Hz



Demension 尺寸图