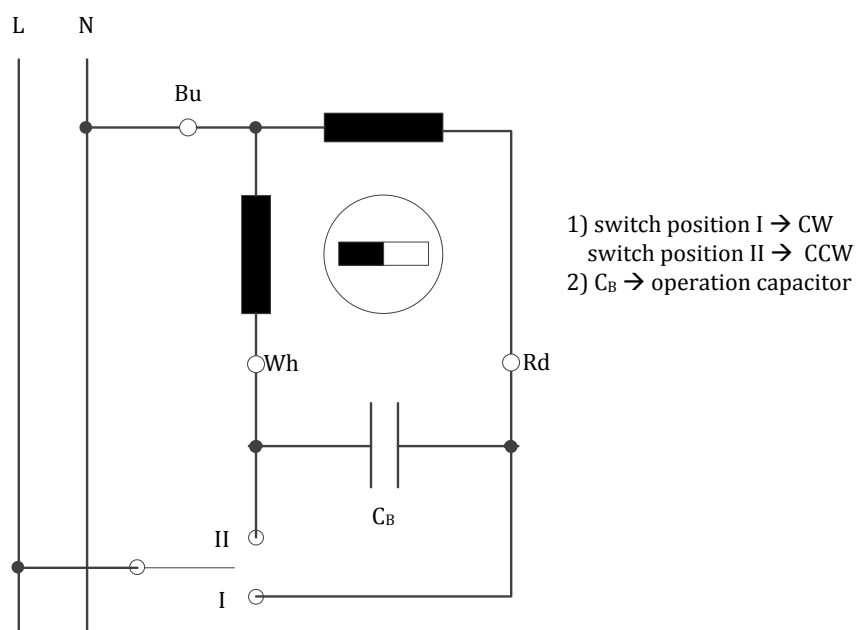


Synchronous motor 35S-6 同步电机 35S-6

Technical Data 技术数据

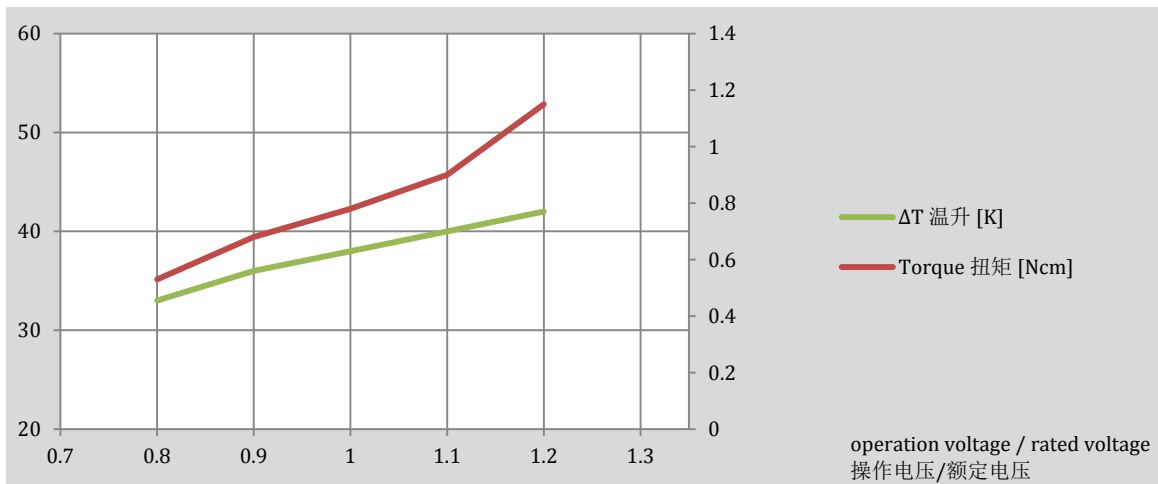
Item	Unit	Frequency	
		50 Hz	60 Hz
Rated speed 额定转速	rpm	500	600
Synchronous torque 同步扭矩	Ncm	0.95	0.91
Delivery of power 输出功率	W	0.50	0.57
Power consumption 功耗	W	1.96	2.1
Rated current (230 V) 额定电流	mA	17.8	19.1
Operating capacitor 电容	F	0.25	0.25
Max. externally permitted mass moment of inertia 允许的最大外部惯量	gcm ²	13.5	8.3
Self-holding torque, typical 自锁扭矩	Ncm	0.25	0.25
Winding temperature rise 绕组温升	K	38	40
Permitted radial force 允许径向力 F_r	N	3	3
Permitted axial force 允许轴向力 F_{as}	N	1	1
Weight 重量	kg	0.09	0.09
Protection grade 防护等级		IP 41	
Insulation class 绝缘等级		E	
Dielectric strength 介电强度		according to IEC 60034-1	

Ordering code 订货号		100121		100123		100124	
Rated voltage 额定电压	V	230		48		24	
Frequency 频率	Hz	50	60	50	60	50	60
Operating capacitor 电容	F	0.25	0.25	1.8	1.8	6.8	6.8
Rated current 额定电流	mA	17.8	19.1	44.3	47.5	87.9	94.3

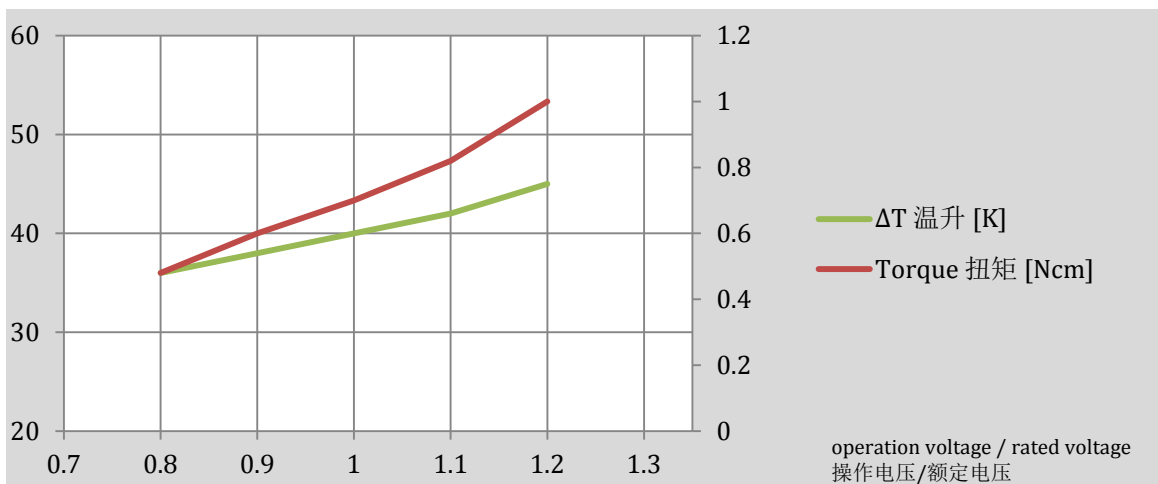


Wiring 35s-6 接线图

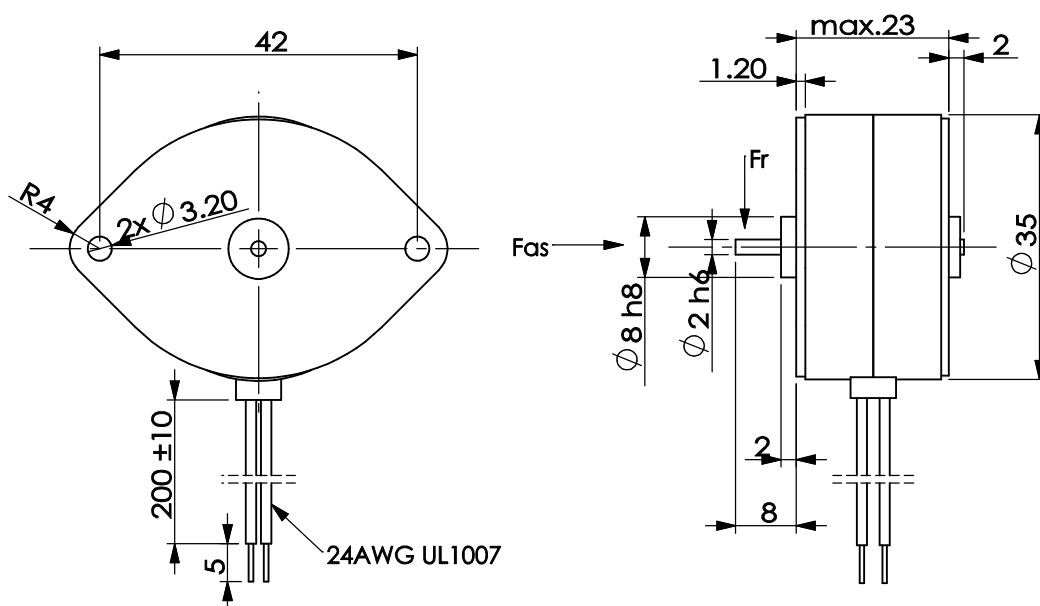
Synchronous motor 35S-6 同步电机 35S-6



Characteristic curve 35s-6 at 50 Hz 特性曲线@50 Hz



Characteristic curve 35s-6 at 60 Hz 特性曲线@60 Hz



Demension 尺寸图