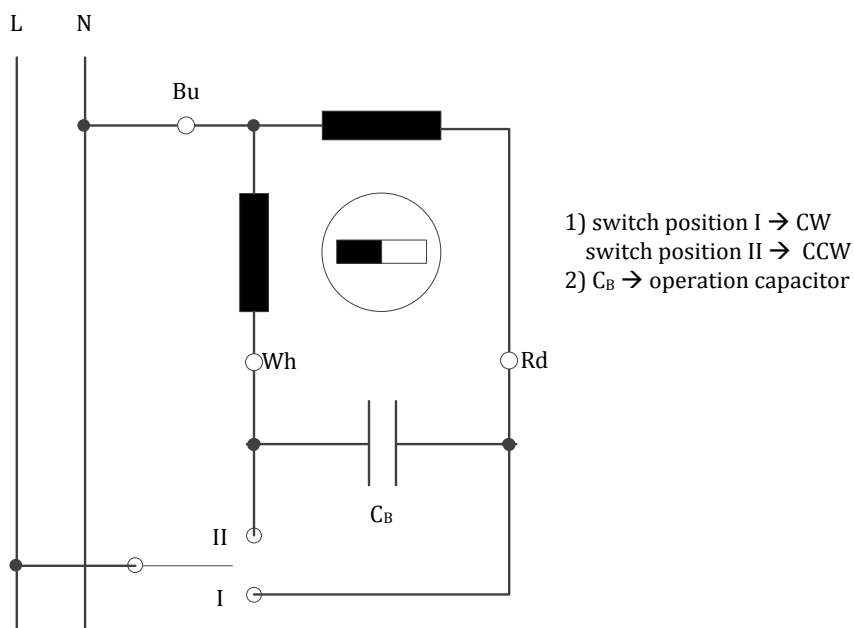


Synchronous motor 35S-8 同步电机 35S-8

Technical Data 技术数据

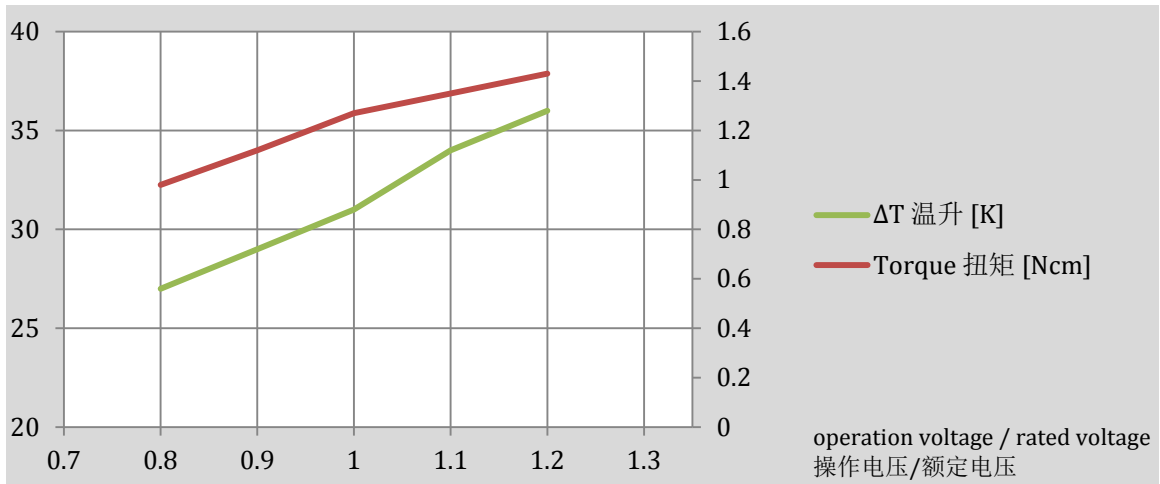
Item	Unit	Frequency	
		50 Hz	60 Hz
Rated speed 额定转速	rpm	375	450
Synchronous torque 同步扭矩	Ncm	1.27	1.21
Delivery of power 输出功率	W	0.50	0.57
Power consumption 功耗	W	1.1	1.2
Rated current (230 V) 额定电流	mA	16	16.8
Operating capacitor 电容	F	0.22	0.22
Max. externally permitted mass moment of inertia 允许的最大外部惯量	gcm ²	22.5	8.8
Self-holding torque, typical 自锁扭矩	Ncm	0.2	0.2
Winding temperature rise 绕组温升	K	31	35
Permitted radial force 允许径向力 F_r	N	3	3
Permitted axial force 允许轴向力 F_{as}	N	1	1
Weight 重量	kg	0.09	0.09
Protection grade 防护等级		IP 41	
Insulation class 绝缘等级		E	
Dielectric strength 介电强度		according to IEC 60034-1	

Ordering code 订货号		100125		100127		100128	
Rated voltage 额定电压	V	230		48		24	
Frequency 频率	Hz	50	60	50	60	50	60
Operating capacitor 电容	F	0.22	0.22	1.5	1.5	3.3	3.3
Rated current 额定电流	mA	16	16.8	30.5	31.2	52.7	55.1

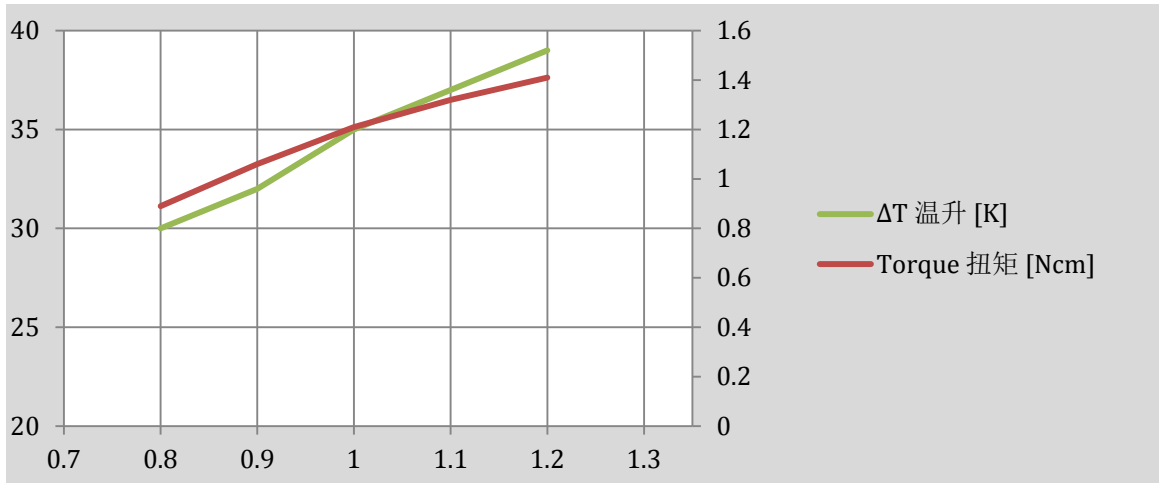


Wiring 35s-8 接线图

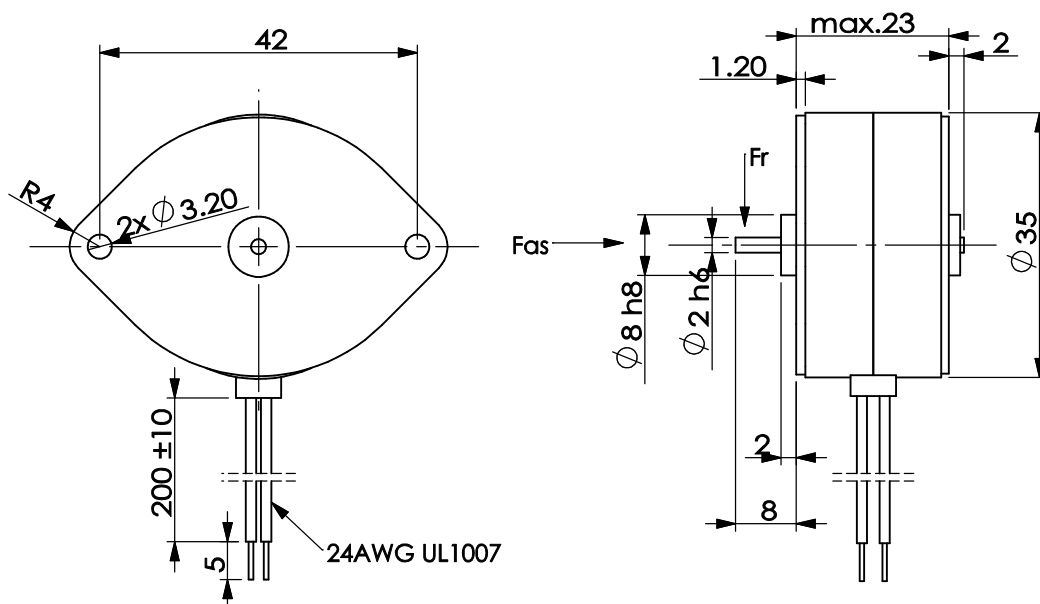
Synchronous motor 35S-8 同步电机 35S-8



Characteristic curve 35s-8 at 50 Hz 特性曲线@50 Hz



Characteristic curve 35s-8 at 60 Hz 特性曲线@60 Hz



Demension 尺寸图