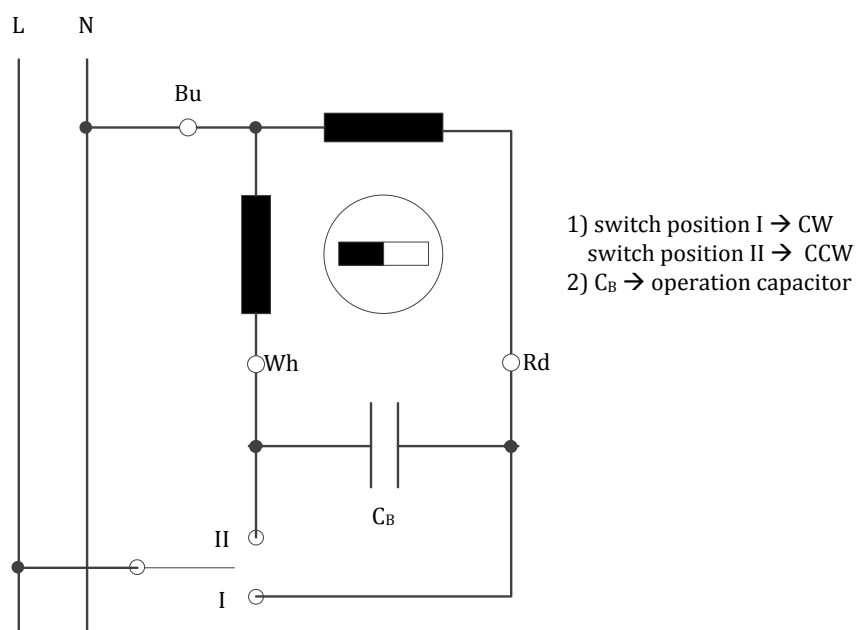


Synchronous motor 42S-6 同步电机 42S-6

Technical Data 技术数据

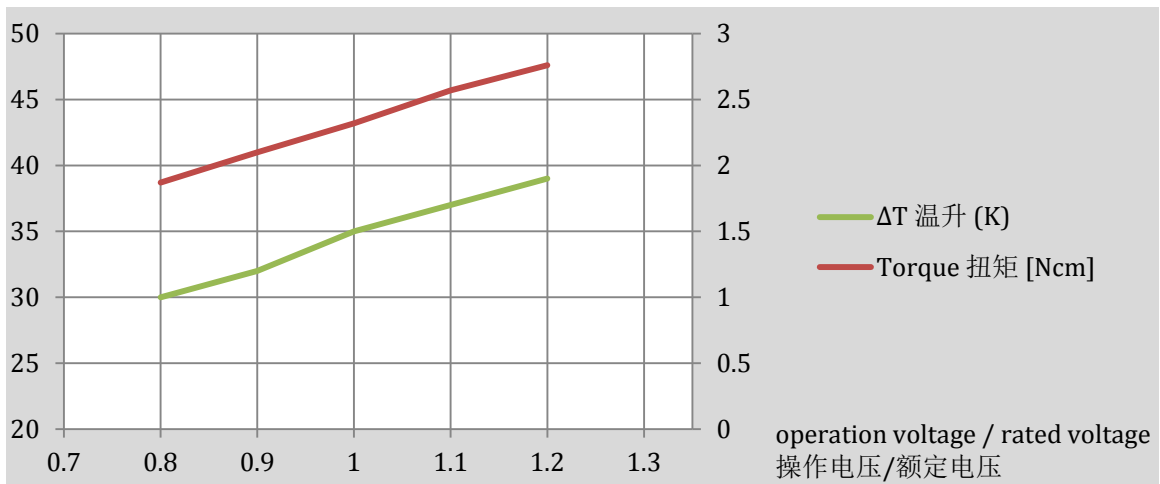
Item	Unit	Frequency	
		50 Hz	60 Hz
Rated speed 额定转速	rpm	500	600
Synchronous torque 同步扭矩	Ncm	2.32	1.93
Delivery of power 输出功率	W	1.21	1.21
Power consumption 功耗	W	3.5	3.6
Rated current (230 V) 额定电流	mA	12.6	14.2
Operating capacitor 电容	F	0.12	0.1
Max. externally permitted mass moment of inertia 允许的最大外部惯量	gcm ²	32	26
Self-holding torque, typical 自锁扭矩	Ncm	0.56	0.56
Winding temperature rise 绕组温升	K	35	38
Permitted radial force 允许径向力 F_r	N	5	5
Permitted axial force 允许轴向力 F_{as}	N	1.5	1.5
Weight 重量	kg	0.14	
Protection grade 防护等级		IP 41	
Insulation class 绝缘等级		E	
Dielectric strength 介电强度		according to IEC 60034-1	

Ordering code 订货号		100141		100143		100144	
Rated voltage 额定电压	V	230		48		24	
Frequency 频率	Hz	50	60	50	60	50	60
Operating capacitor 电容	F	0.12	0.12	4.7	3.9	10	8
Rated current 额定电流	mA	12.6	14.2	118	125	220	225

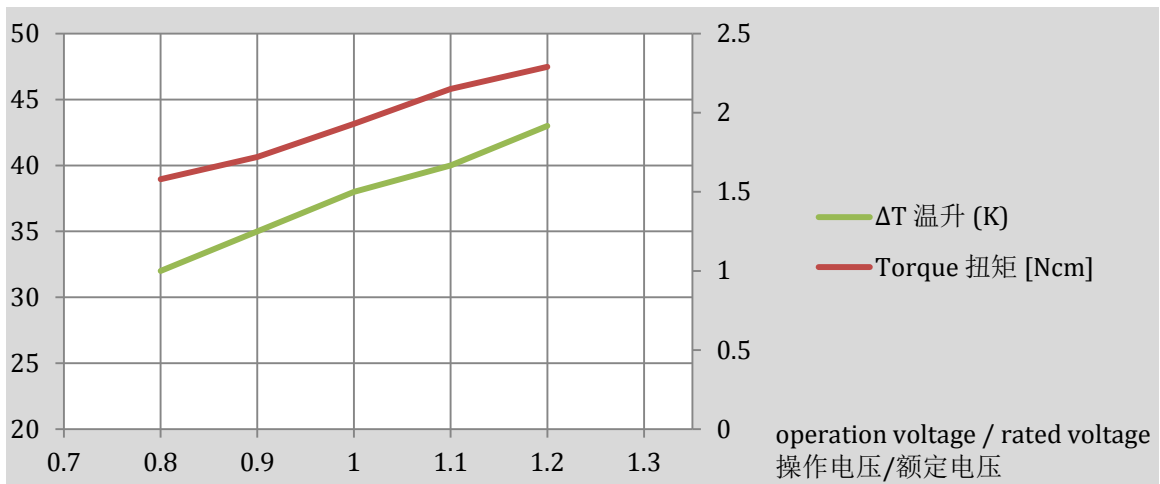


Wiring 42s-6 接线图

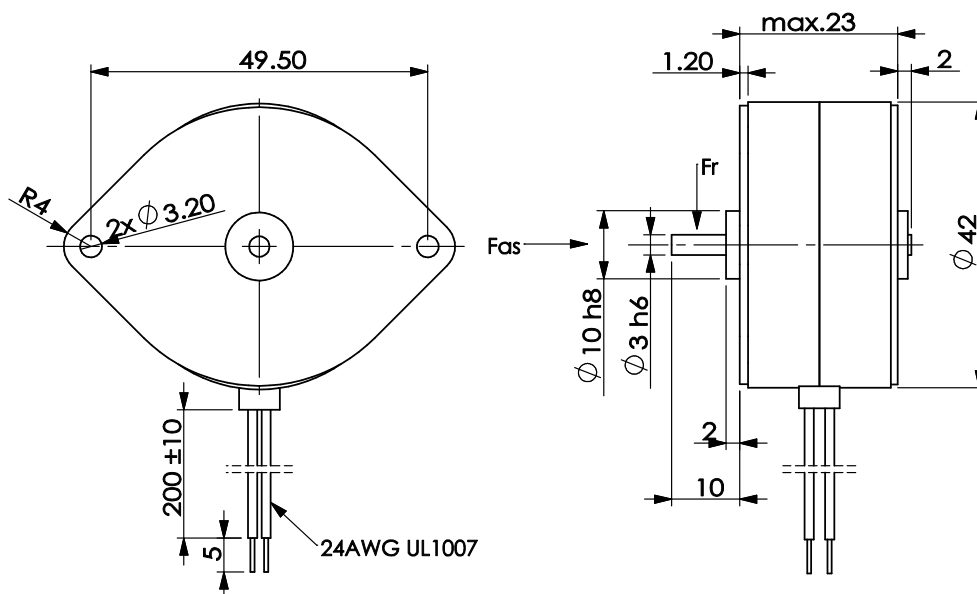
Synchronous motor 42S-6 同步电机 42S-6



Characteristic curve 42s-6 at 50 Hz 特性曲线@50 Hz



Characteristic curve 42s-6 at 60 Hz 特性曲线@60 Hz



Demension 尺寸图