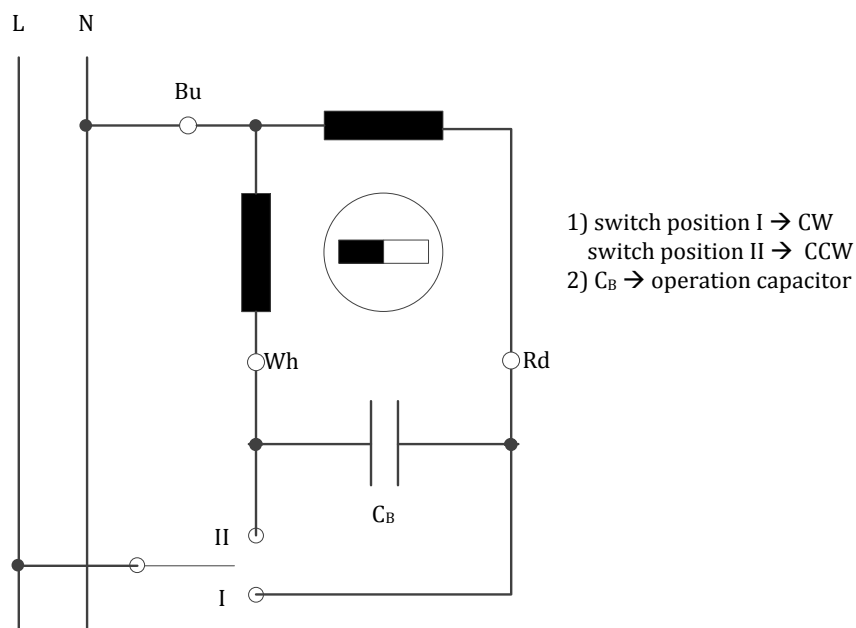


Synchronous motor 58S-8 同步电机 58S-8

Technical Data 技术数据

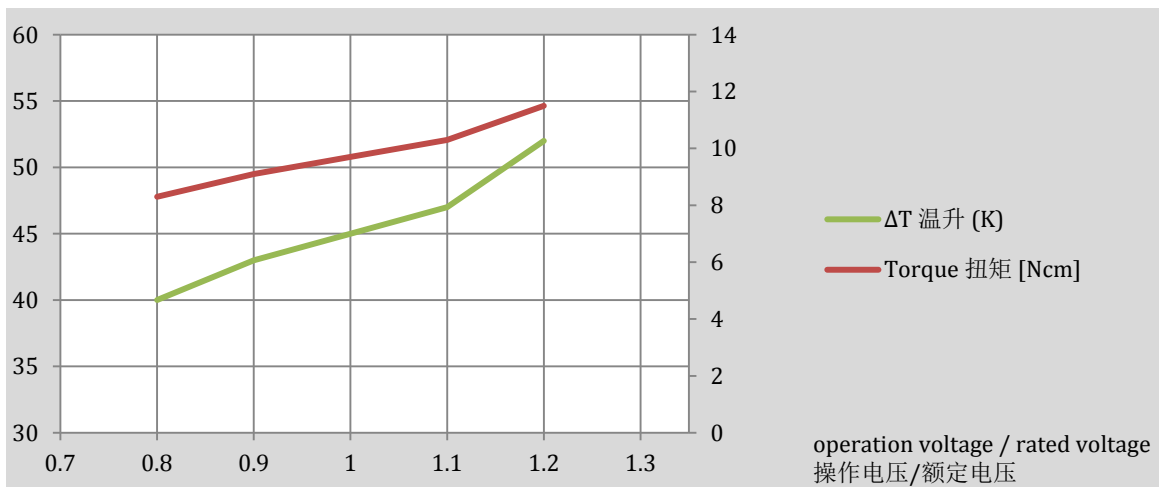
Item	Unit	Frequency	
		50 Hz	60 Hz
Rated speed 额定转速	rpm	375	450
Synchronous torque 同步扭矩	Ncm	9.7	8.5
Delivery of power 输出功率	W	3.81	4.01
Power consumption 功耗	W	10	10
Rated current (230 V) 额定电流	mA	42	45
Operating capacitor 电容	F	0.33	0.33
Max. externally permitted mass moment of inertia 允许的最大外部惯量	gcm ²	210	210
Self-holding torque, typical 自锁扭矩	Ncm	4	4
Excess winding temperature 绕组温升	K	45	51
Permitted radial force 允许径向力 F_r	N	9	9
Permitted axial force 允许轴向力 F_{as}	N	2.5	2.5
Weight 重量	kg	0.38	
Protection grade 防护等级		IP 41	
Insulation class 绝缘等级		E	
Dielectric strength 介电强度		according to IEC 60034-1	

Ordering code 订货号		100165		100167		100168	
Rated voltage 额定电压	V	230		48		24	
Frequency 频率	Hz	50	60	50	60	50	60
Operating capacitor 电容	F	0.33	0.33	10	10	32	32
Rated current 额定电流	mA	42	45	225	232	427	435

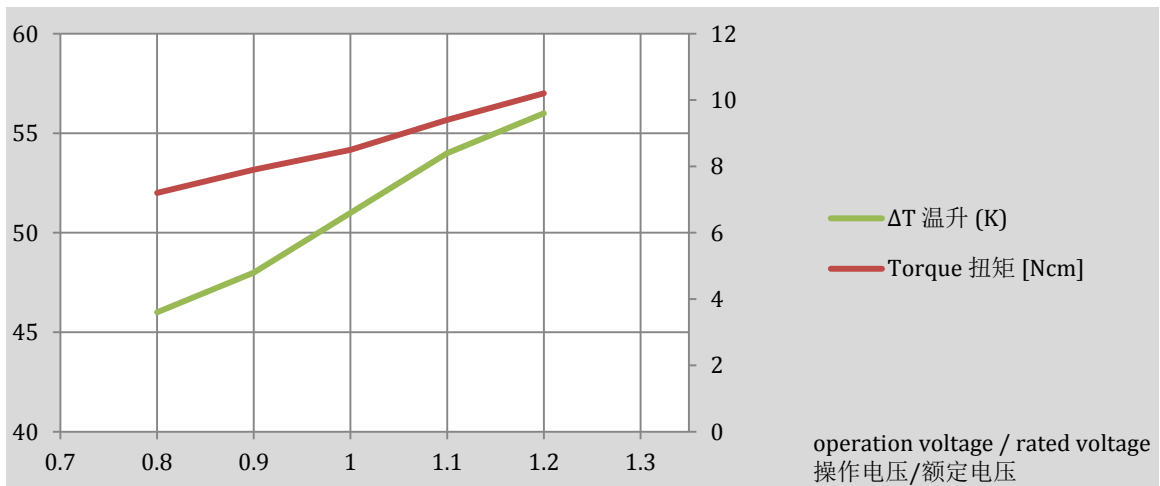


Wiring 58s-8 接线图

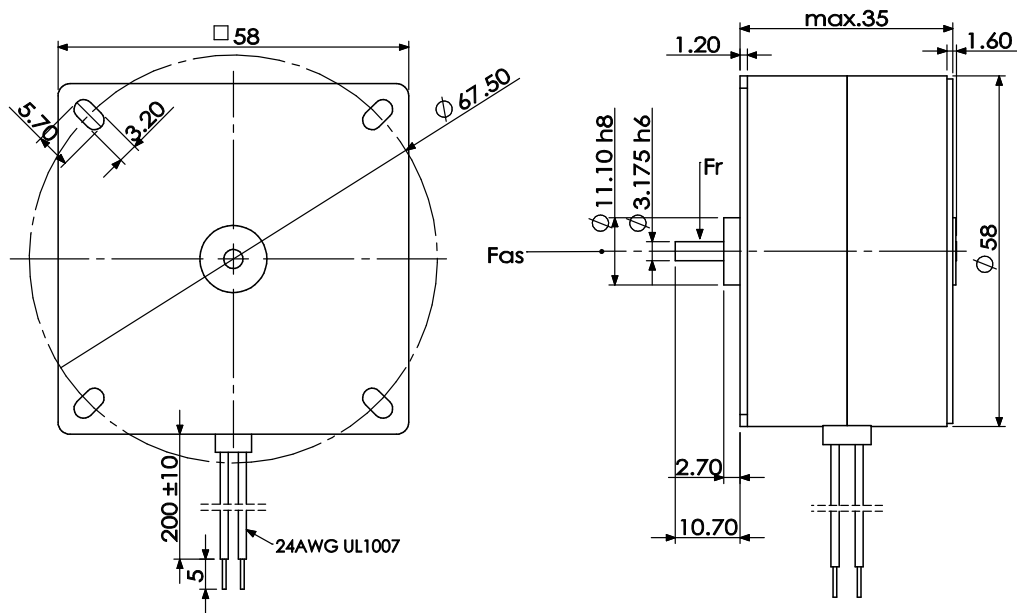
Synchronous motor 58S-8 同步电机 58S-8



Characteristic curve 58s-8 at 50 Hz 特性曲线@50 Hz



Characteristic curve 58s-8 at 60 Hz 特性曲线@60 Hz



Demension 尺寸图