

**Enginesound AC synchronous motor S series**

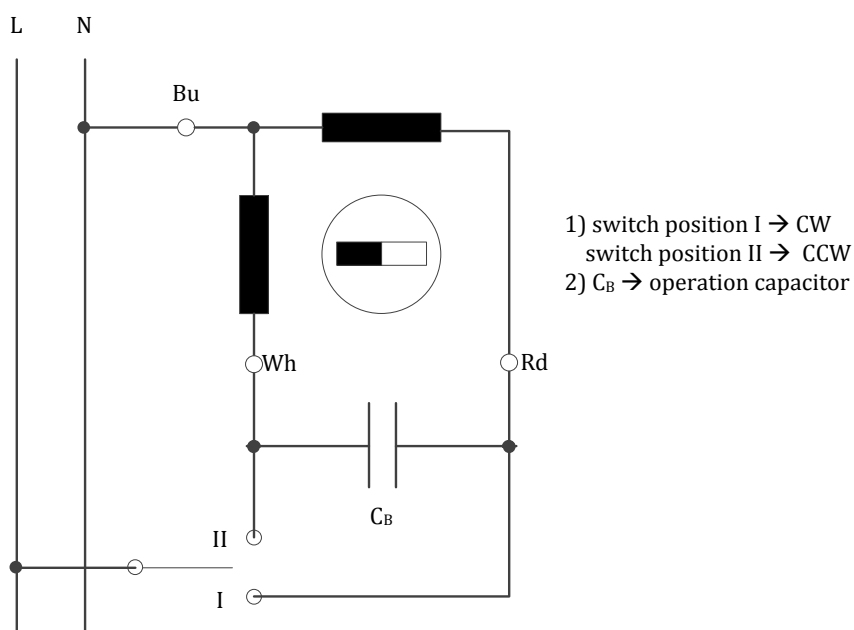
交流同步电机 S 系列

## Synchronous motor 35S-6 同步电机 35S-6

### Technical Data 技术数据

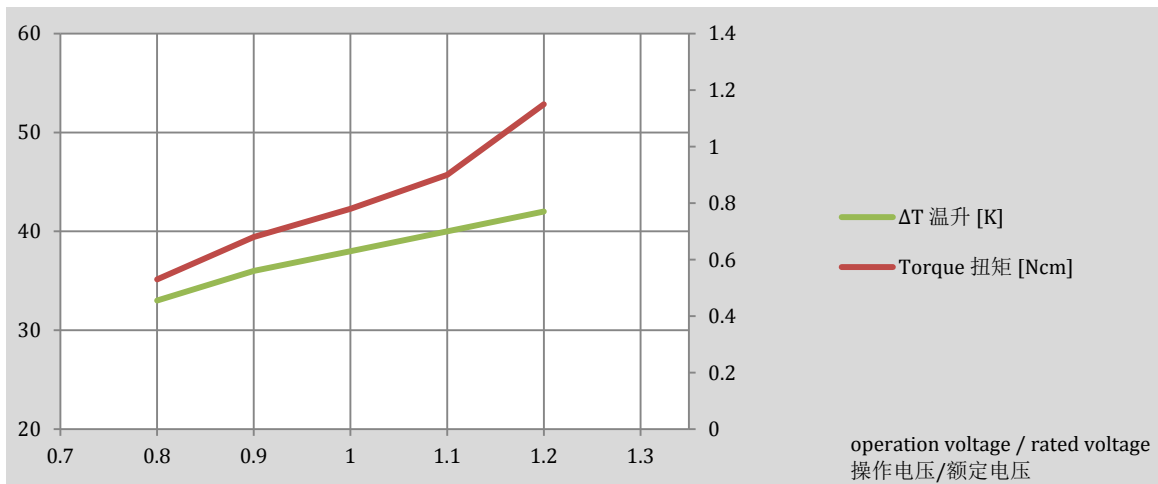
Item	Unit	Frequency	
		50 Hz	60 Hz
Rated speed 额定转速	rpm	500	600
Synchronous torque 同步扭矩	Ncm	0.95	0.91
Delivery of power 输出功率	W	0.50	0.57
Power consumption 功耗	W	1.96	2.1
Rated current (230 V) 额定电流	mA	17.8	19.1
Operating capacitor 电容	F	0.25	0.25
Max. externally permitted mass moment of inertia 允许的最大外部惯量	gcm <sup>2</sup>	13.5	8.3
Self-holding torque, typical 自锁扭矩	Ncm	0.25	0.25
Winding temperature rise 绕组温升	K	38	40
Permitted radial force 允许径向力 $F_r$	N	3	3
Permitted axial force 允许轴向力 $F_{as}$	N	1	1
Weight 重量	kg	0.09	0.09
Protection grade 防护等级		IP 41	
Insulation class 绝缘等级		E	
Dielectric strength 介电强度		according to IEC 60034-1	

Ordering code 订货号		100121		100123		100124	
Rated voltage 额定电压	V	230		48		24	
Frequency 频率	Hz	50	60	50	60	50	60
Operating capacitor 电容	F	0.25	0.25	1.8	1.8	6.8	6.8
Rated current 额定电流	mA	17.8	19.1	44.3	47.5	87.9	94.3

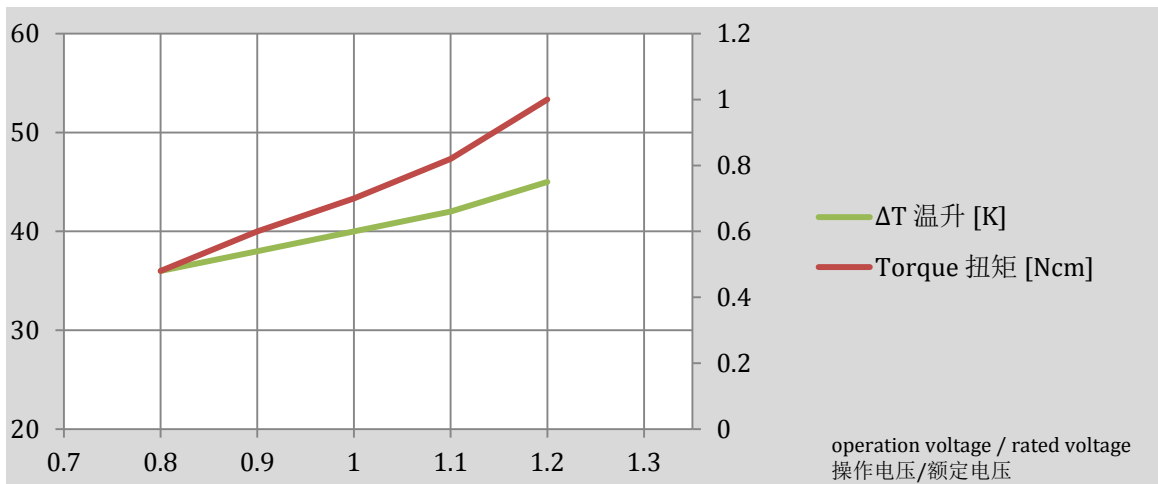


Wiring 35s-6 接线图

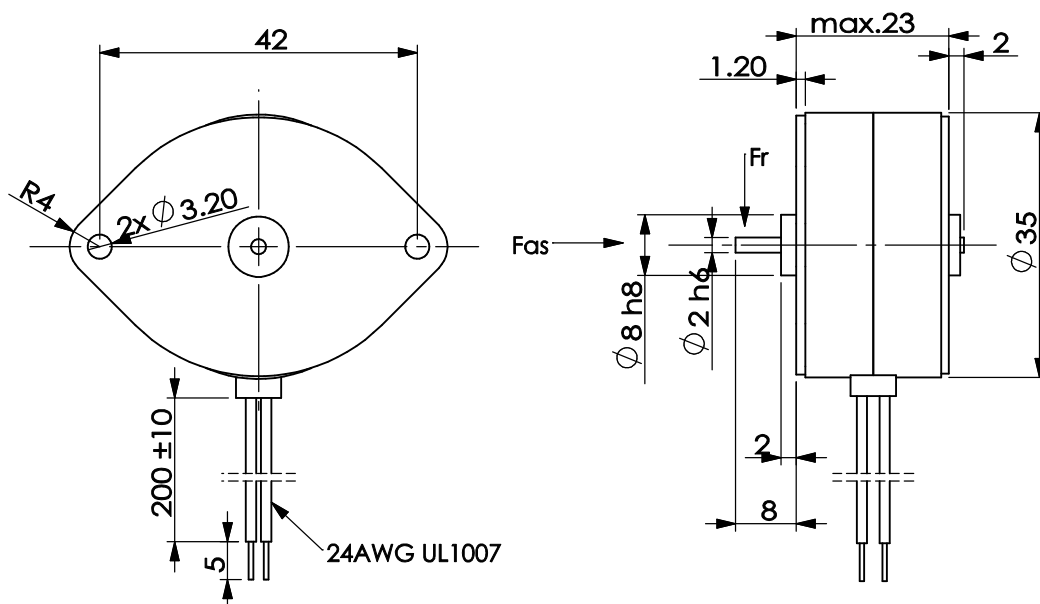
## Synchronous motor 35S-6 同步电机 35S-6



Characteristic curve 35s-6 at 50 Hz 特性曲线@50 Hz



Characteristic curve 35s-6 at 60 Hz 特性曲线@60 Hz



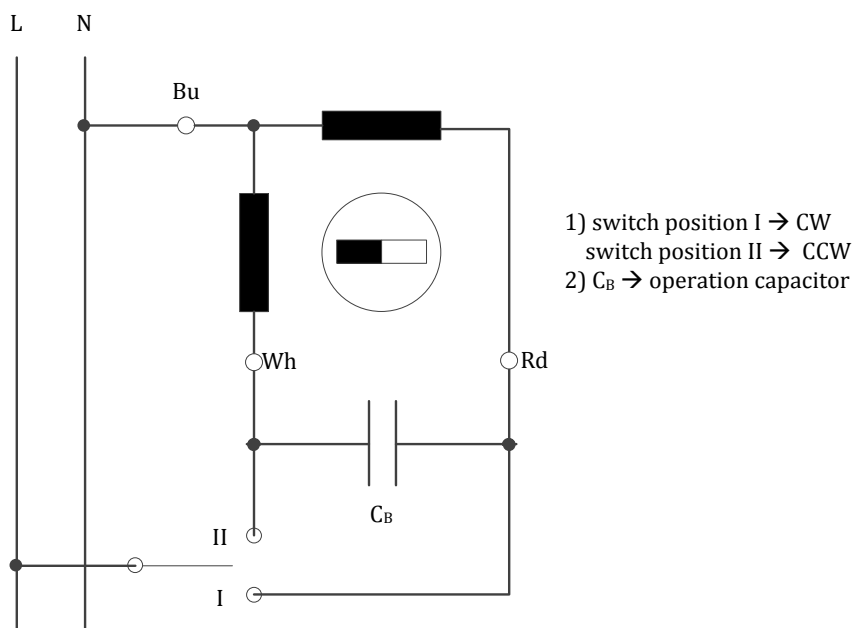
Demension 尺寸图

## Synchronous motor 35S-8 同步电机 35S-8

### Technical Data 技术数据

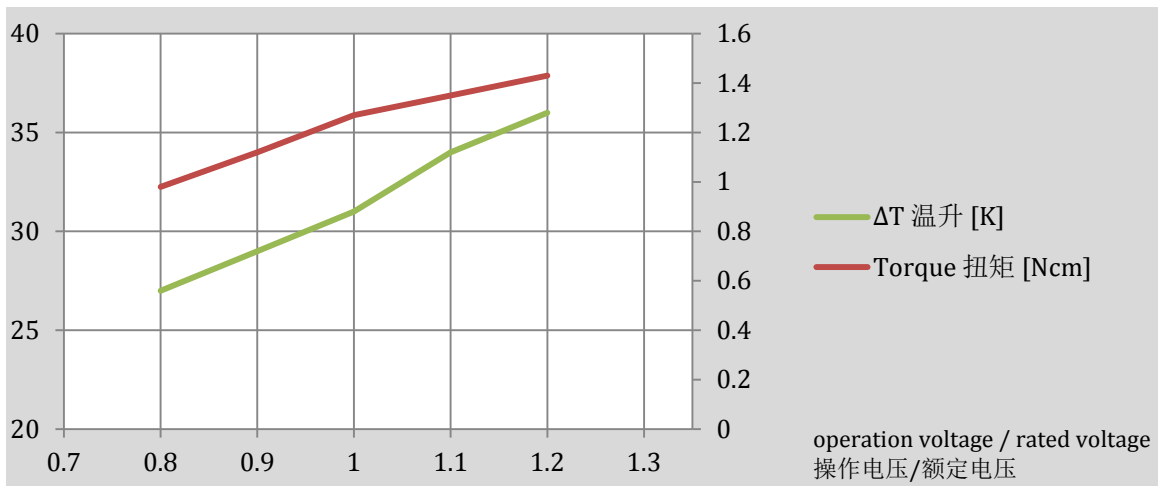
Item	Unit	Frequency	
		50 Hz	60 Hz
Rated speed 额定转速	rpm	375	450
Synchronous torque 同步扭矩	Ncm	1.27	1.21
Delivery of power 输出功率	W	0.50	0.57
Power consumption 功耗	W	1.1	1.2
Rated current (230 V) 额定电流	mA	16	16.8
Operating capacitor 电容	F	0.22	0.22
Max. externally permitted mass moment of inertia 允许的最大外部惯量	gcm <sup>2</sup>	22.5	8.8
Self-holding torque, typical 自锁扭矩	Ncm	0.2	0.2
Winding temperature rise 绕组温升	K	31	35
Permitted radial force 允许径向力 $F_r$	N	3	3
Permitted axial force 允许轴向力 $F_{as}$	N	1	1
Weight 重量	kg	0.09	0.09
Protection grade 防护等级		IP 41	
Insulation class 绝缘等级		E	
Dielectric strength 介电强度		according to IEC 60034-1	

Ordering code 订货号		100125		100127		100128	
Rated voltage 额定电压	V	230		48		24	
Frequency 频率	Hz	50	60	50	60	50	60
Operating capacitor 电容	F	0.22	0.22	1.5	1.5	3.3	3.3
Rated current 额定电流	mA	16	16.8	30.5	31.2	52.7	55.1

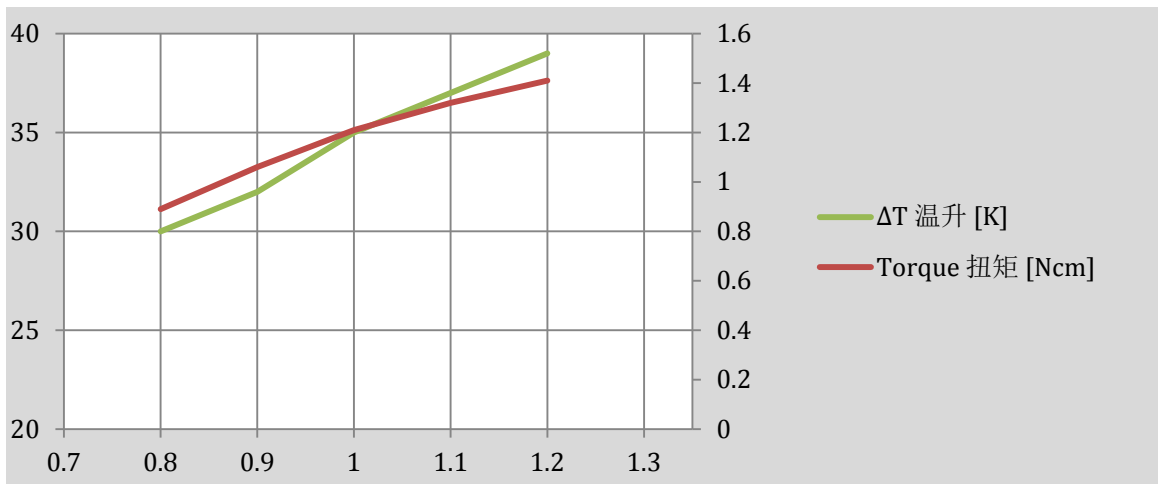


Wiring 35s-8 接线图

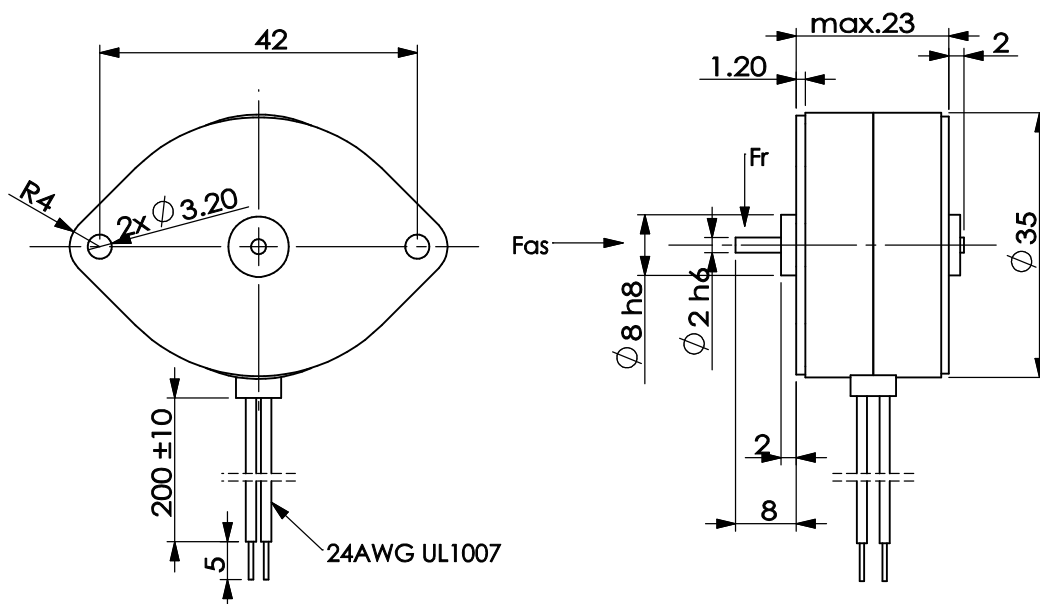
## Synchronous motor 35S-8 同步电机 35S-8



Characteristic curve 35s-8 at 50 Hz 特性曲线@50 Hz



Characteristic curve 35s-8 at 60 Hz 特性曲线@60 Hz



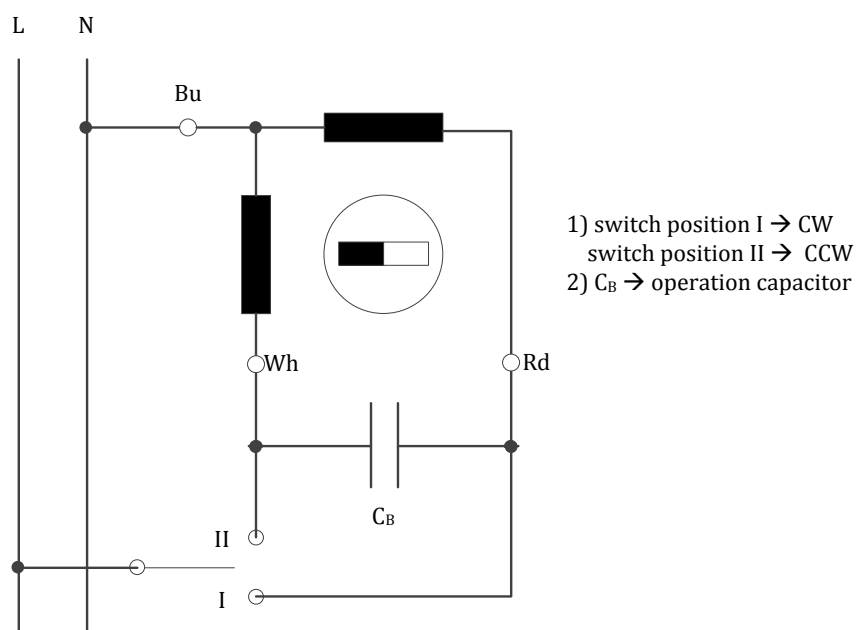
Demension 尺寸图

## Synchronous motor 35S-12 同步电机 35S-12

### Technical Data 技术数据

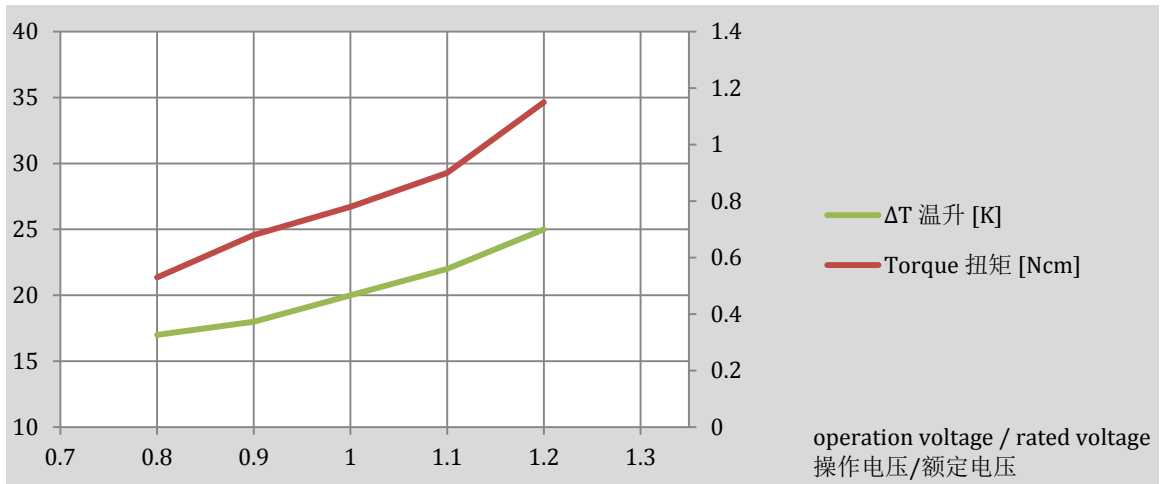
Item	Unit	Frequency	
		50 Hz	60 Hz
Rated speed 额定转速	rpm	250	300
Synchronous torque 同步扭矩	Ncm	1.42	1.38
Delivery of power 输出功率	W	0.37	0.43
Power consumption 功耗	W	1.1	1.2
Rated current (230 V) 额定电流	mA	10	10.6
Operating capacitor 电容	F	0.15	0.15
Max. externally permitted mass moment of inertia 允许的最大外部惯量	gcm <sup>2</sup>	22.5	8.8
Self-holding torque, typical 自锁扭矩	Ncm	0.2	0.2
Winding temperature rise 绕组温升	K	20	27
Permitted radial force 允许径向力 $F_r$	N	3	3
Permitted axial force 允许轴向力 $F_{as}$	N	1	1
Weight 重量	kg	0.09	0.09
Protection grade 防护等级		IP 41	
Insulation class 绝缘等级		E	
Dielectric strength 介电强度		according to IEC 60034-1	

Ordering code 订货号		100135		100137		100138	
Rated voltage 额定电压	V	230		48		24	
Frequency 频率	Hz	50	60	50	60	50	60
Operating capacitor 电容	F	0.15	0.15	1	1	3	3
Rated current 额定电流	mA	10	10.6	22.5	23.9	45.2	47.9

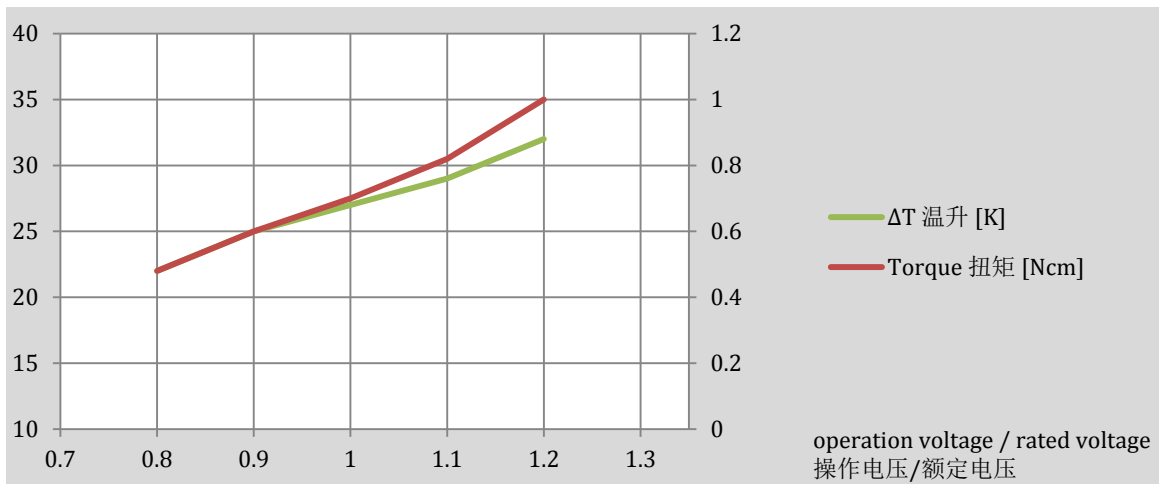


Wiring 35s-12 接线图

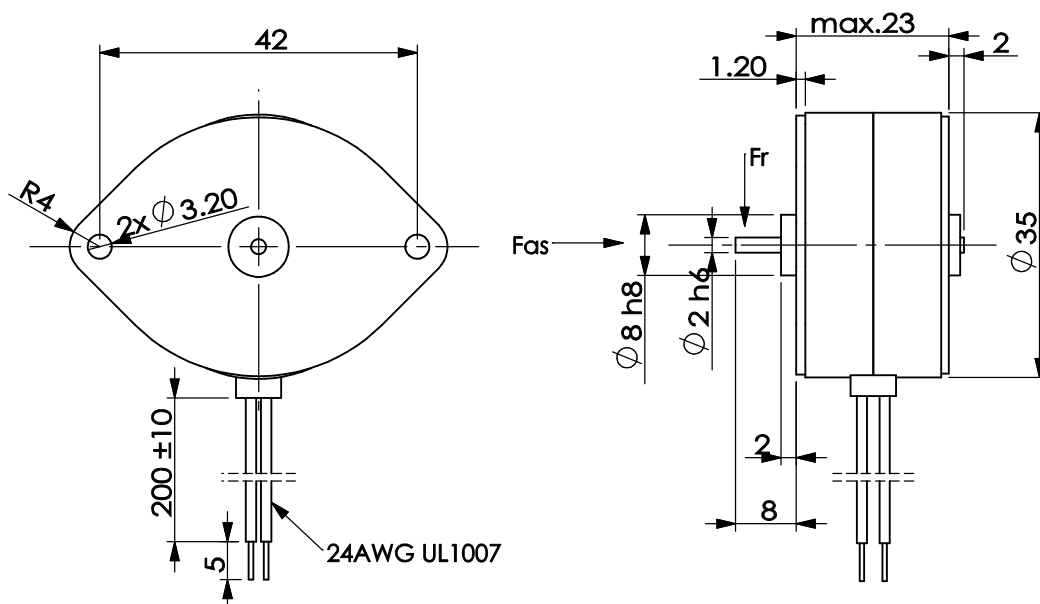
## Synchronous motor 35S-12 同步电机 35S-12



Characteristic curve 35s-12 at 50 Hz 特性曲线@50 Hz



Characteristic curve 35s-12 at 60 Hz 特性曲线@60 Hz



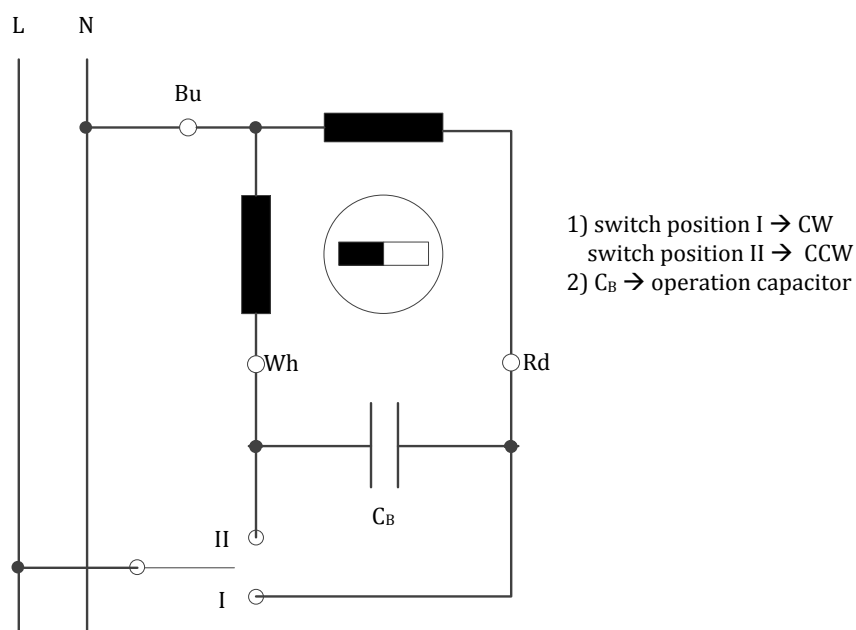
Demension 尺寸图

## Synchronous motor 42S-6 同步电机 42S-6

### Technical Data 技术数据

Item	Unit	Frequency	
		50 Hz	60 Hz
Rated speed 额定转速	rpm	500	600
Synchronous torque 同步扭矩	Ncm	2.32	1.93
Delivery of power 输出功率	W	1.21	1.21
Power consumption 功耗	W	3.5	3.6
Rated current (230 V) 额定电流	mA	12.6	14.2
Operating capacitor 电容	F	0.12	0.1
Max. externally permitted mass moment of inertia 允许的最大外部惯量	gcm <sup>2</sup>	32	26
Self-holding torque, typical 自锁扭矩	Ncm	0.56	0.56
Winding temperature rise 绕组温升	K	35	38
Permitted radial force 允许径向力 $F_r$	N	5	5
Permitted axial force 允许轴向力 $F_{as}$	N	1.5	1.5
Weight 重量	kg	0.14	
Protection grade 防护等级		IP 41	
Insulation class 绝缘等级		E	
Dielectric strength 介电强度		according to IEC 60034-1	

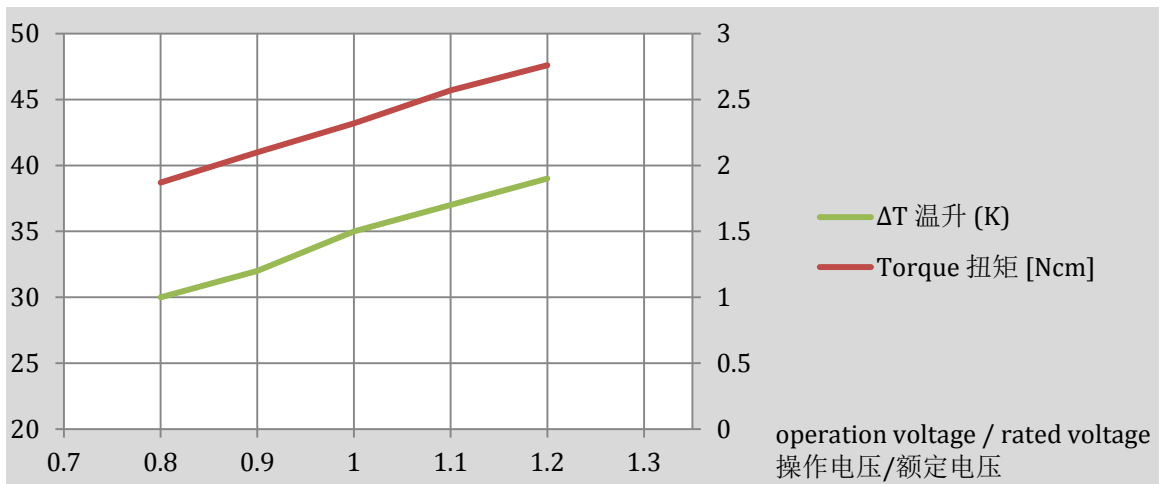
Ordering code 订货号		100141		100143		100144	
Rated voltage 额定电压	V	230		48		24	
Frequency 频率	Hz	50	60	50	60	50	60
Operating capacitor 电容	F	0.12	0.12	4.7	3.9	10	8
Rated current 额定电流	mA	12.6	14.2	118	125	220	225



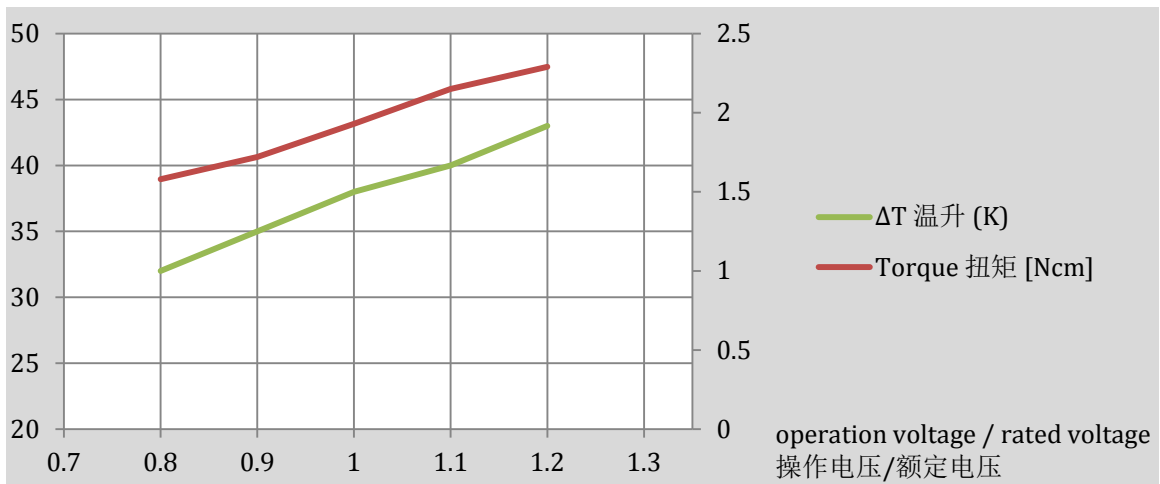
Wiring 42s-6 接线图



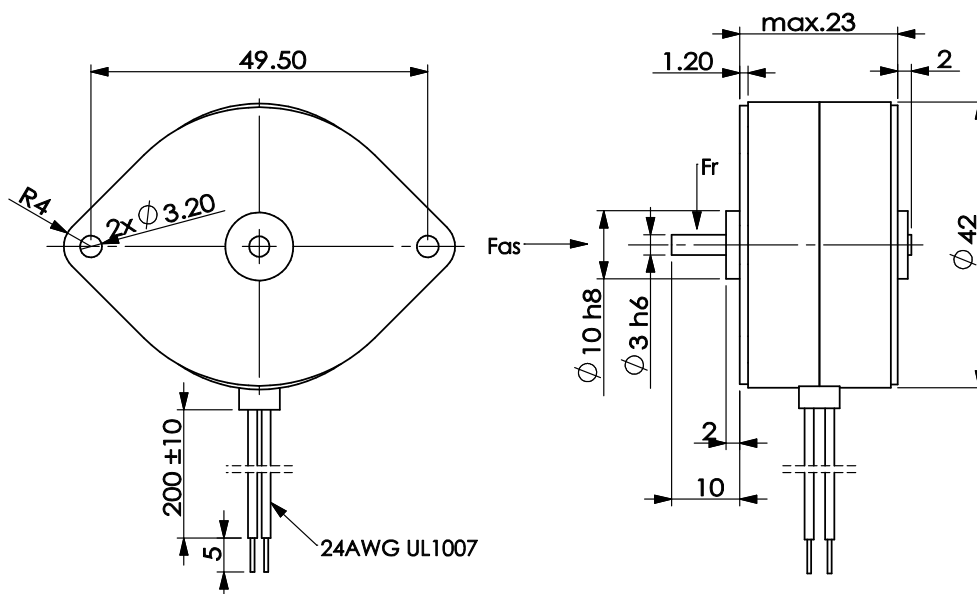
## Synchronous motor 42S-6 同步电机 42S-6



Characteristic curve 42s-6 at 50 Hz 特性曲线@50 Hz



Characteristic curve 42s-6 at 60 Hz 特性曲线@60 Hz



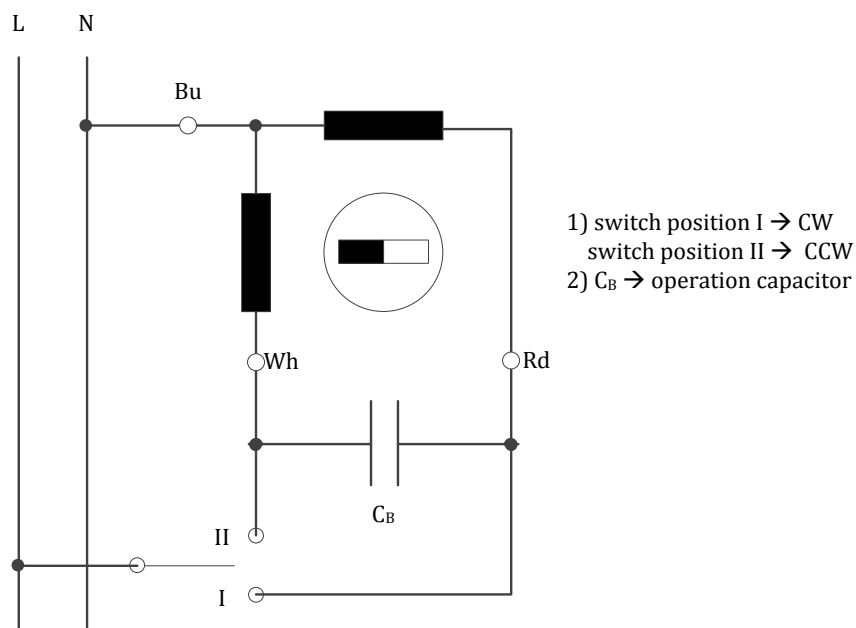
Demension 尺寸图

## Synchronous motor 42S-8 同步电机 42S-8

### Technical Data 技术数据

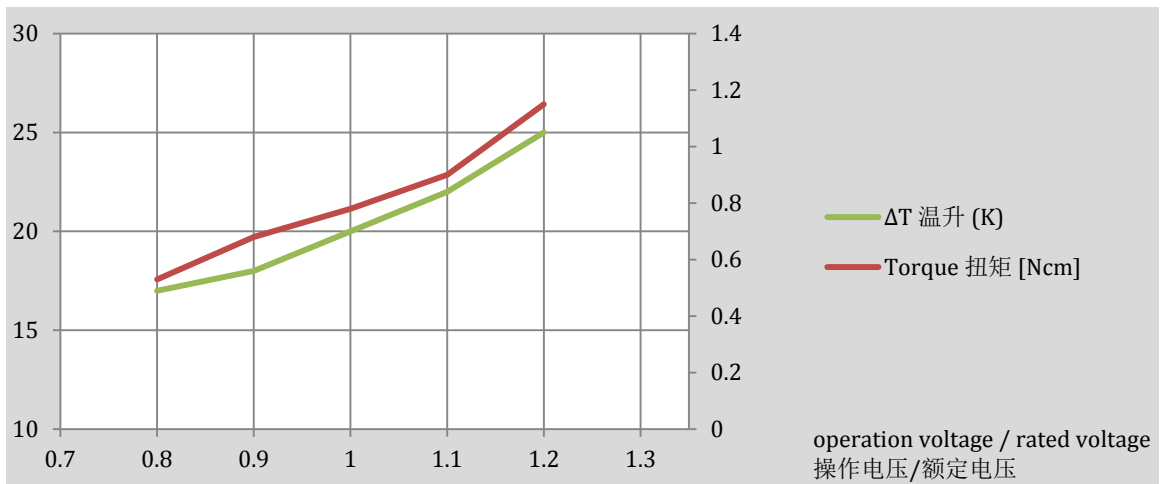
Item	Unit	Frequency	
		50 Hz	60 Hz
Rated speed 额定转速	rpm	375	450
Synchronous torque 同步扭矩	Ncm	3.1	2.95
Delivery of power 输出功率	W	1.22	1.39
Power consumption 功耗	W	3.5	3.9
Rated current (230 V) 额定电流	mA	14.5	16
Operating capacitor 电容	F	0.1	0.1
Max. externally permitted mass moment of inertia 允许的最大外部惯量	gcm <sup>2</sup>	45	30
Self-holding torque, typical 自锁扭矩	Ncm	0.5	0.5
Excess winding temperature 绕组温升	K	44	48
Permitted radial force 允许径向力 $F_r$	N	5	5
Permitted axial force 允许轴向力 $F_{as}$	N	1.5	1.5
Weight 重量	kg	0.14	
Protection grade 防护等级		IP 41	
Insulation class 绝缘等级		E	
Dielectric strength 介电强度		according to IEC 60034-1	

Ordering code 订货号		100145		100147		100148	
Rated voltage 额定电压	V	230		42		24	
Frequency 频率	Hz	50	60	50	60	50	60
Operating capacitor 电容	F	0.39	0.39	2.5	2.5	7	7
Rated current 额定电流	mA	29	32	71.2	80	120	135

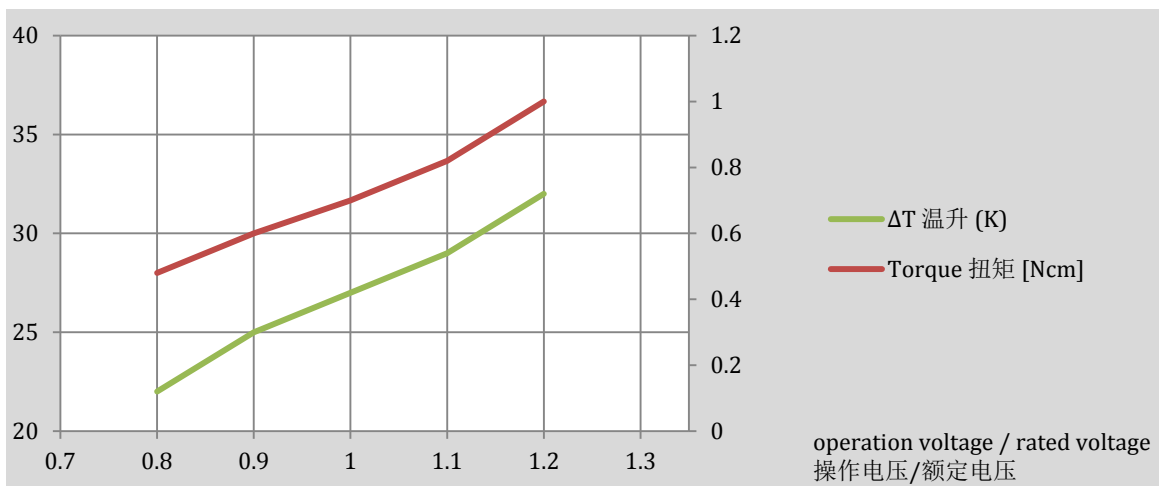


Wiring 42s-8 接线图

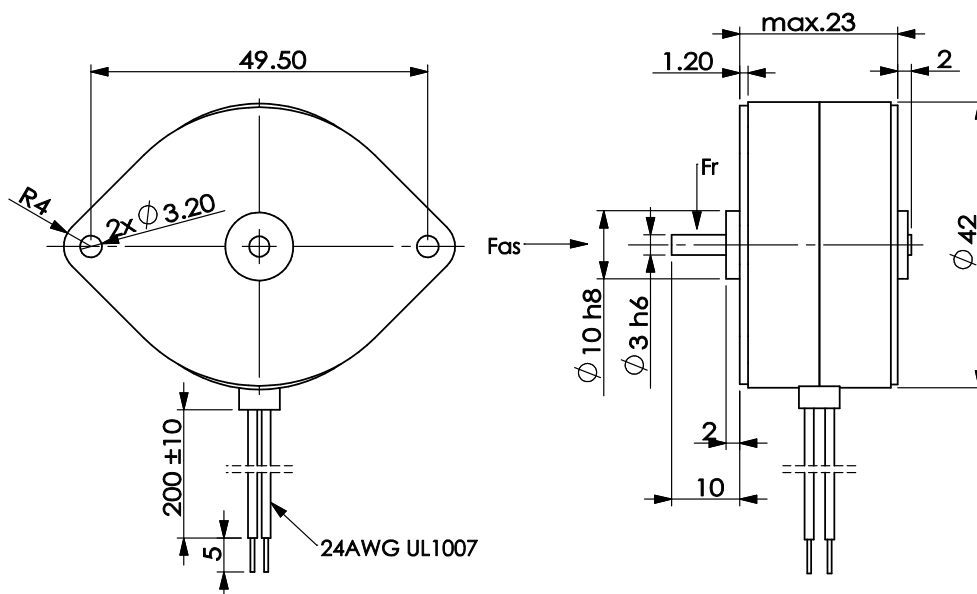
## Synchronous motor 42S-8 同步电机 42S-8



Characteristic curve 42s-8 at 50 Hz 特性曲线@50 Hz



Characteristic curve 42s-8 at 60 Hz 特性曲线@60 Hz



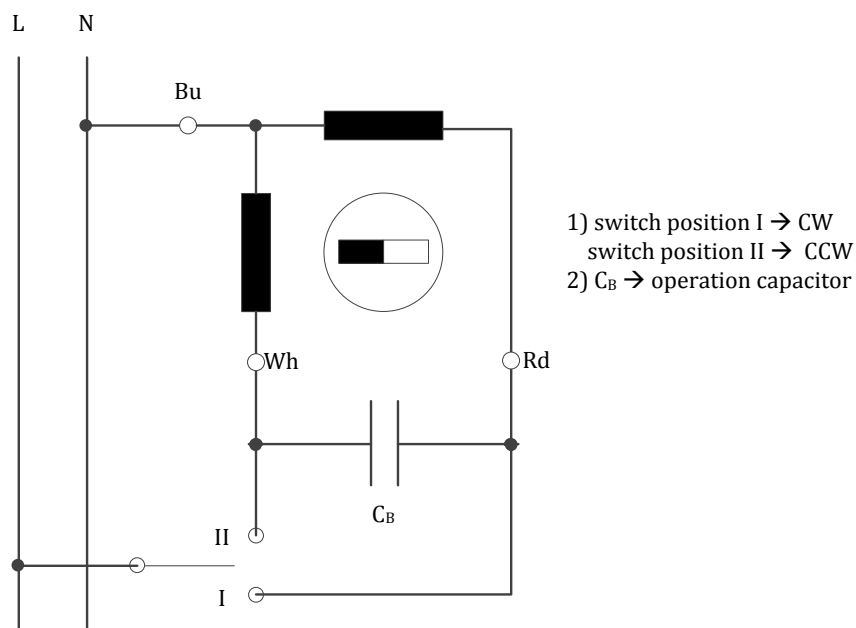
Demension 尺寸图

## Synchronous motor 42S-12 同步电机 42S-12

### Technical Data 技术数据

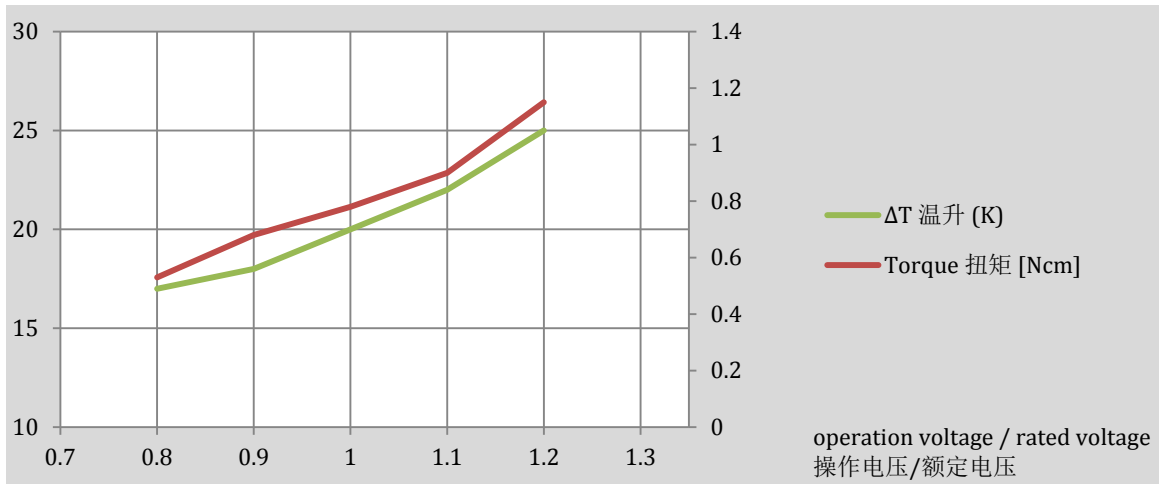
Item	Unit	Frequency	
		50 Hz	60 Hz
Rated speed 额定转速	rpm	250	300
Synchronous torque 同步扭矩	Ncm	3.9	3.4
Delivery of power 输出功率	W	1.02	1.07
Power consumption 功耗	W	3.5	3.9
Rated current (230 V) 额定电流	mA	14.5	16
Operating capacitor 电容	F	0.1	0.1
Max. externally permitted mass moment of inertia 允许的最大外部惯量	gcm <sup>2</sup>	45	30
Self-holding torque, typical 自锁扭矩	Ncm	0.5	0.5
Excess winding temperature 绕组温升	K	44	48
Permitted radial force 允许径向力 $F_r$	N	5	5
Permitted axial force 允许轴向力 $F_{as}$	N	1.5	1.5
Weight 重量	kg	0.14	
Protection grade 防护等级		IP 41	
Insulation class 绝缘等级		E	
Dielectric strength 介电强度		according to IEC 60034-1	

Ordering code 订货号		100155		100157		100158	
Rated voltage 额定电压	V	230		42		24	
Frequency 频率	Hz	50	60	50	60	50	60
Operating capacitor 电容	F	0.39	0.39	2.5	2.5	7	7
Rated current 额定电流	mA	29	32	71.2	80	120	135

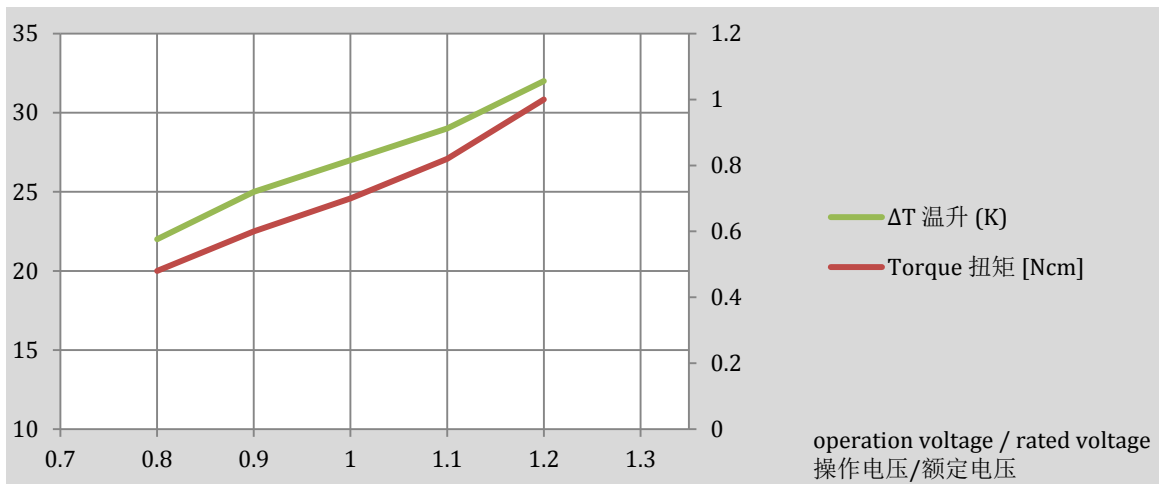


Wiring 42s-12 接线图

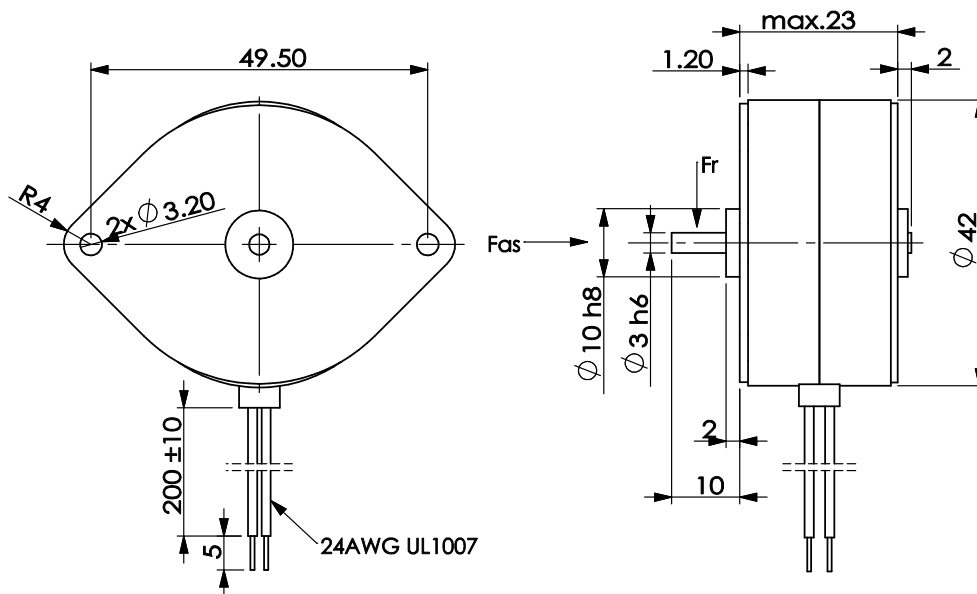
## Synchronous motor 42S-12 同步电机 42S-12



Characteristic curve 42s-12 at 50 Hz 特性曲线@50 Hz



Characteristic curve 42s-12 at 60 Hz 特性曲线@60 Hz



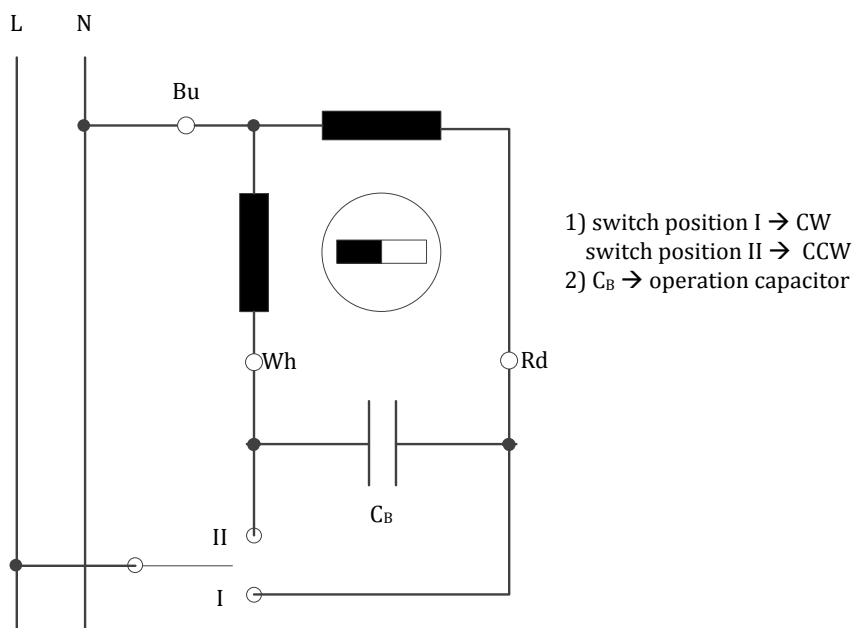
Demension 尺寸图

## Synchronous motor 58S-6 同步电机 58S-6

### Technical Data 技术数据

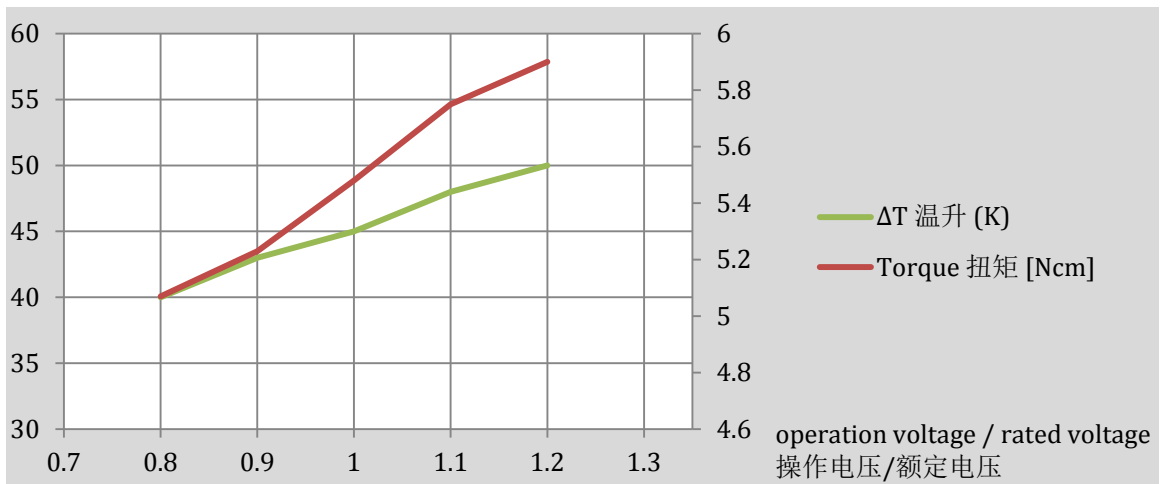
Item	Unit	Frequency	
		50 Hz	60 Hz
Rated speed 额定转速	rpm	500	600
Synchronous torque 同步扭矩	Ncm	5.48	5.02
Delivery of power 输出功率	W	2.87	3.15
Power consumption 功耗	W	8.7	9.3
Rated current (230 V) 额定电流	mA	28	29
Operating capacitor 电容	F	0.25	0.25
Max. externally permitted mass moment of inertia 允许的最大外部惯量	gcm <sup>2</sup>	210	210
Self-holding torque, typical 自锁扭矩	Ncm	1.2	1.2
Winding temperature rise 绕组温升	K	45	48
Permitted radial force 允许径向力 $F_r$	N	9	9
Permitted axial force 允许轴向力 $F_{as}$	N	2.5	2.5
Weight 重量	kg	0.38	
Protection grade 防护等级		IP 41	
Insulation class 绝缘等级		E	
Dielectric strength 介电强度		according to IEC 60034-1	

Ordering code 订货号		100161		100163		100164	
Rated voltage 额定电压	V	230		48		24	
Frequency 频率	Hz	50	60	50	60	50	60
Operating capacitor 电容	F	0.25	0.25	7.8	7.8	25	25
Rated current 额定电流	mA	28	29	183	187	306	314

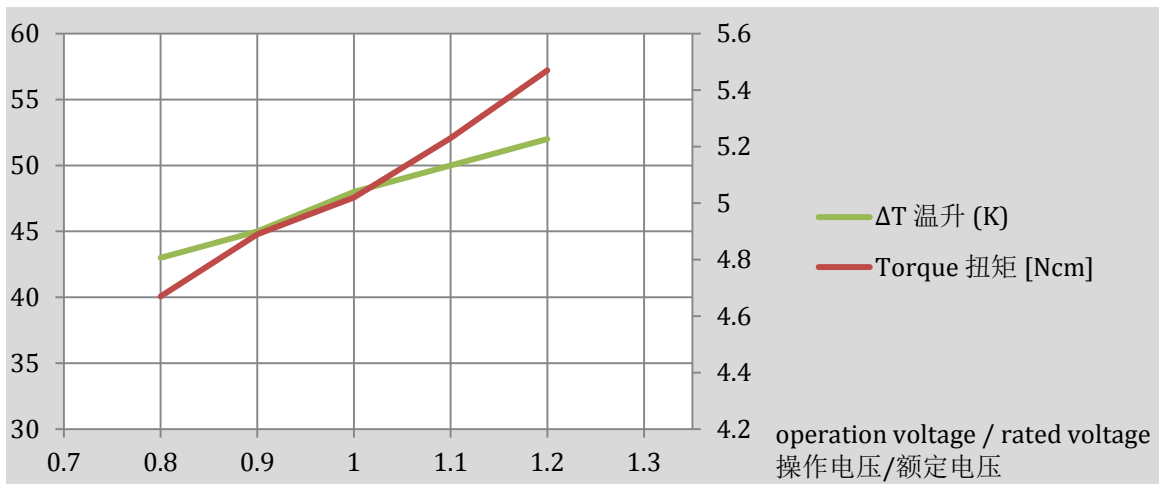


Wiring 58s-6 接线图

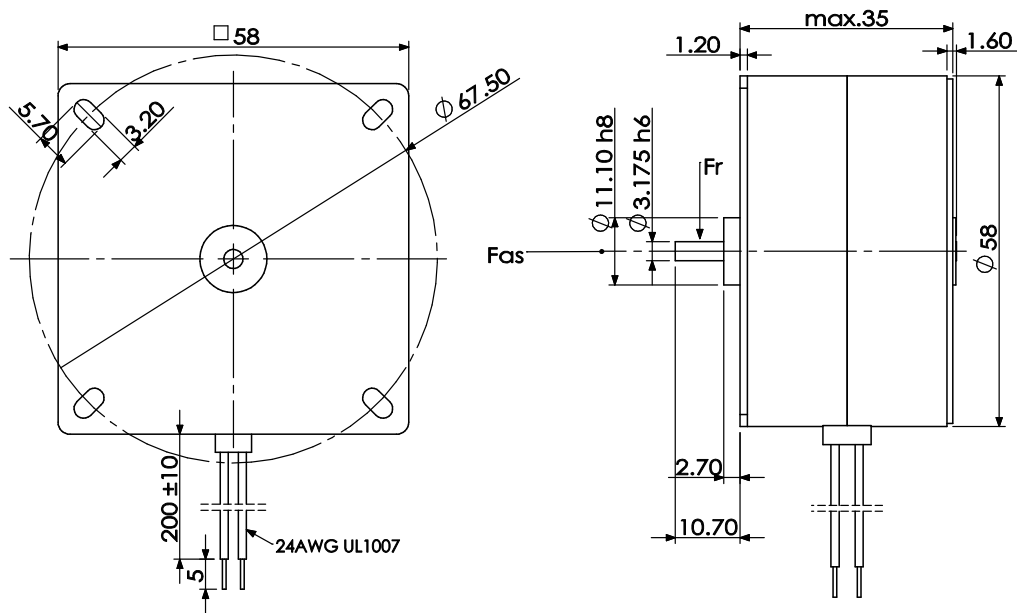
## Synchronous motor 58S-6 同步电机 58S-6



Characteristic curve 58s-6 at 50 Hz 特性曲线@50 Hz



Characteristic curve 58s-6 at 60 Hz 特性曲线@60 Hz



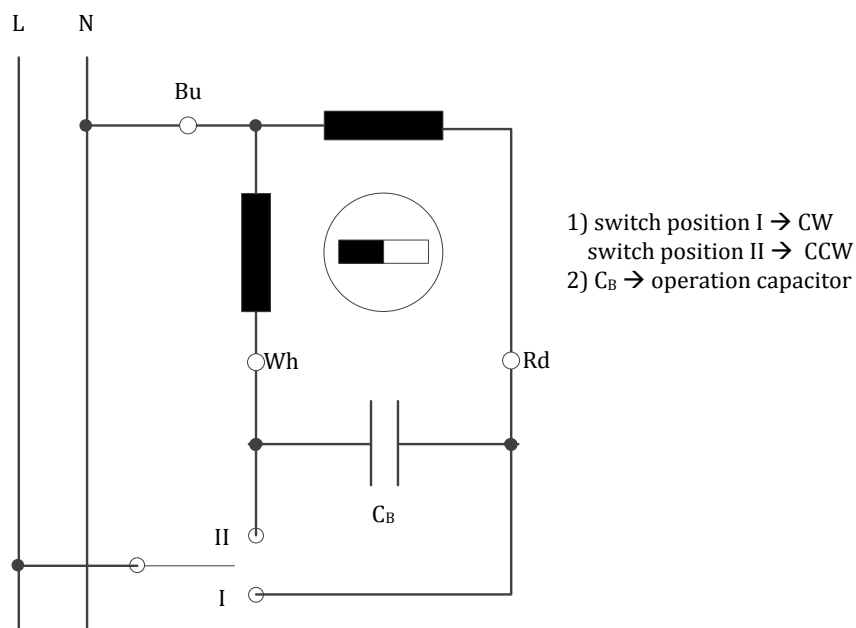
Demension 尺寸图

## Synchronous motor 58S-8 同步电机 58S-8

### Technical Data 技术数据

Item	Unit	Frequency	
		50 Hz	60 Hz
Rated speed 额定转速	rpm	375	450
Synchronous torque 同步扭矩	Ncm	9.7	8.5
Delivery of power 输出功率	W	3.81	4.01
Power consumption 功耗	W	10	10
Rated current (230 V) 额定电流	mA	42	45
Operating capacitor 电容	F	0.33	0.33
Max. externally permitted mass moment of inertia 允许的最大外部惯量	gcm <sup>2</sup>	210	210
Self-holding torque, typical 自锁扭矩	Ncm	4	4
Excess winding temperature 绕组温升	K	45	51
Permitted radial force 允许径向力 F <sub>r</sub>	N	9	9
Permitted axial force 允许轴向力 F <sub>as</sub>	N	2.5	2.5
Weight 重量	kg	0.38	
Protection grade 防护等级		IP 41	
Insulation class 绝缘等级		E	
Dielectric strength 介电强度		according to IEC 60034-1	

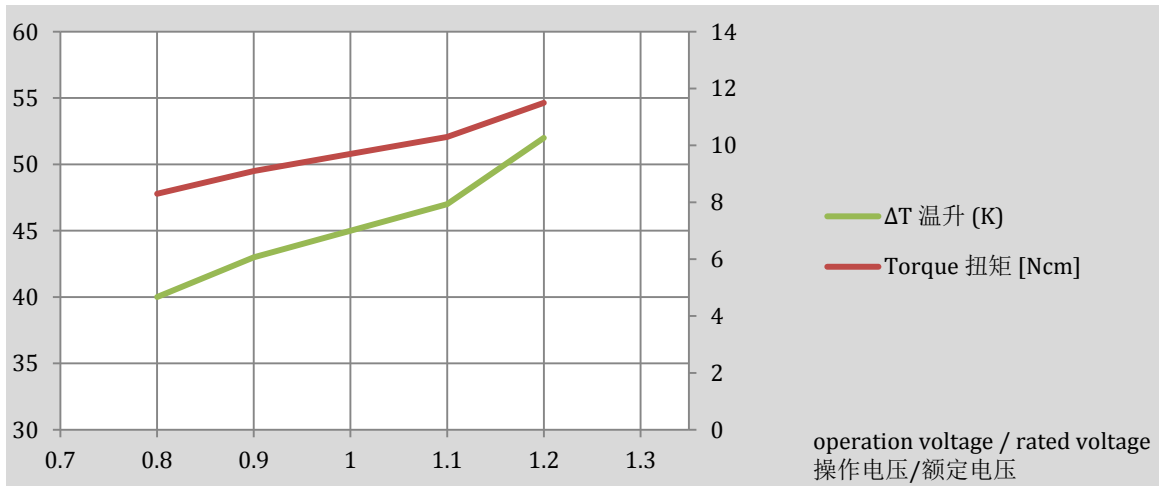
Ordering code 订货号		100165		100167		100168	
Rated voltage 额定电压	V	230		48		24	
Frequency 频率	Hz	50	60	50	60	50	60
Operating capacitor 电容	F	0.33	0.33	10	10	32	32
Rated current 额定电流	mA	42	45	225	232	427	435



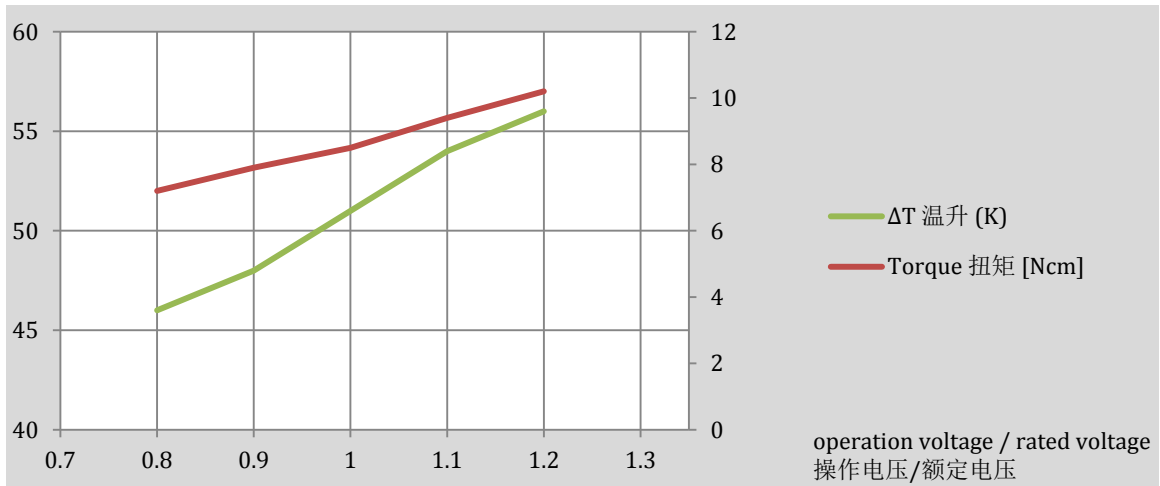
Wiring 58s-8 接线图



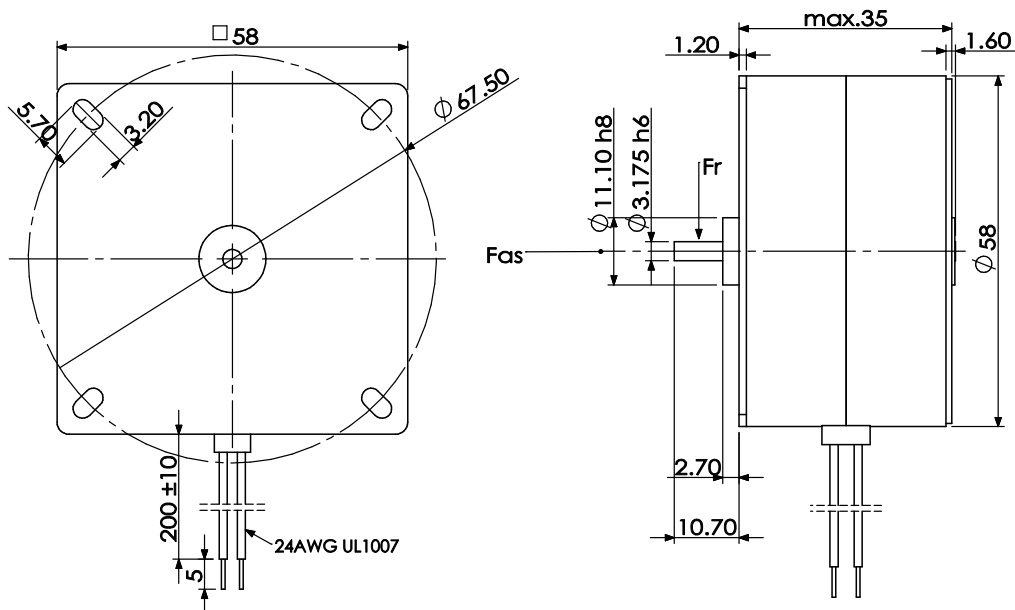
## Synchronous motor 58S-8 同步电机 58S-8



Characteristic curve 58s-8 at 50 Hz 特性曲线@50 Hz



Characteristic curve 58s-8 at 60 Hz 特性曲线@60 Hz



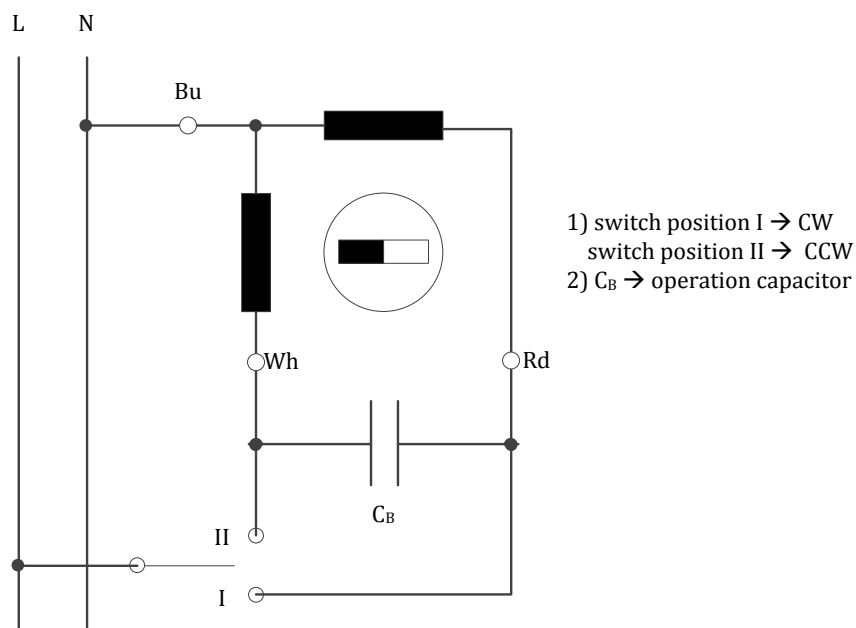
Demension 尺寸图

## Synchronous motor 58S-12 同步电机 58S-12

### Technical Data 技术数据

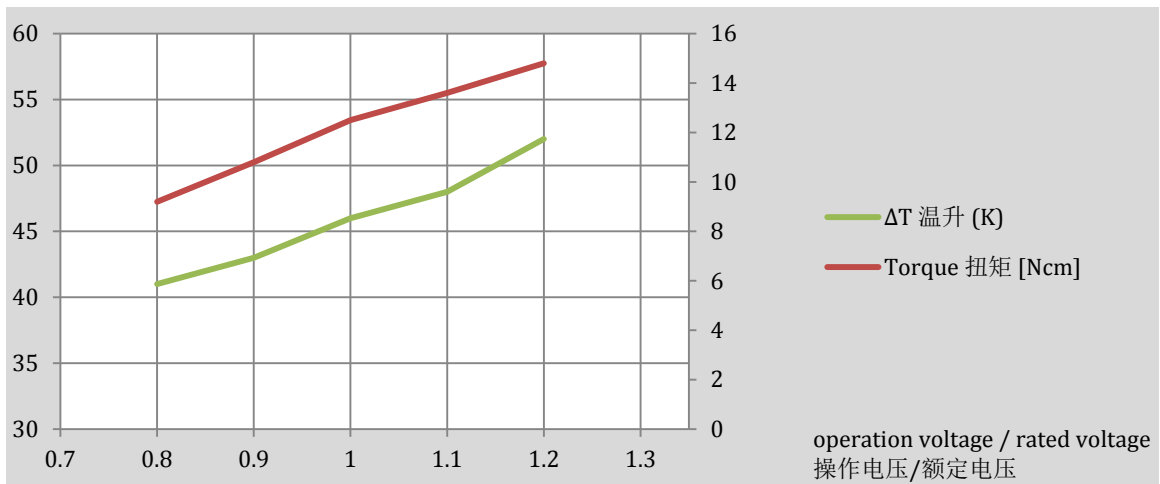
Item	Unit	Frequency	
		50 Hz	60 Hz
Rated speed 额定转速	rpm	250	300
Synchronous torque 同步扭矩	Ncm	12.5	10.2
Delivery of power 输出功率	W	3.27	3.20
Power consumption 功耗	W	8	9
Rated current (230 V) 额定电流	mA	32	29
Operating capacitor 电容	F	0.22	0.22
Max. externally permitted mass moment of inertia 允许的最大外部惯量	gcm <sup>2</sup>	250	250
Self-holding torque, typical 自锁扭矩	Ncm	1.2	1.2
Excess winding temperature 绕组温升	K	46	50
Permitted radial force 允许径向力 $F_r$	N	9	9
Permitted axial force 允许轴向力 $F_{as}$	N	2.5	2.5
Weight 重量	kg	0.38	
Protection grade 防护等级		IP 41	
Insulation class 绝缘等级		E	
Dielectric strength 介电强度		according to IEC 60034-1	

Ordering code 订货号		100175		100177		100178	
Rated voltage 额定电压	V	230		48		24	
Frequency 频率	Hz	50	60	50	60	50	60
Operating capacitor 电容	F	0.22	0.22	7.1	7.1	22	22
Rated current 额定电流	mA	32	29	180	193	305	316

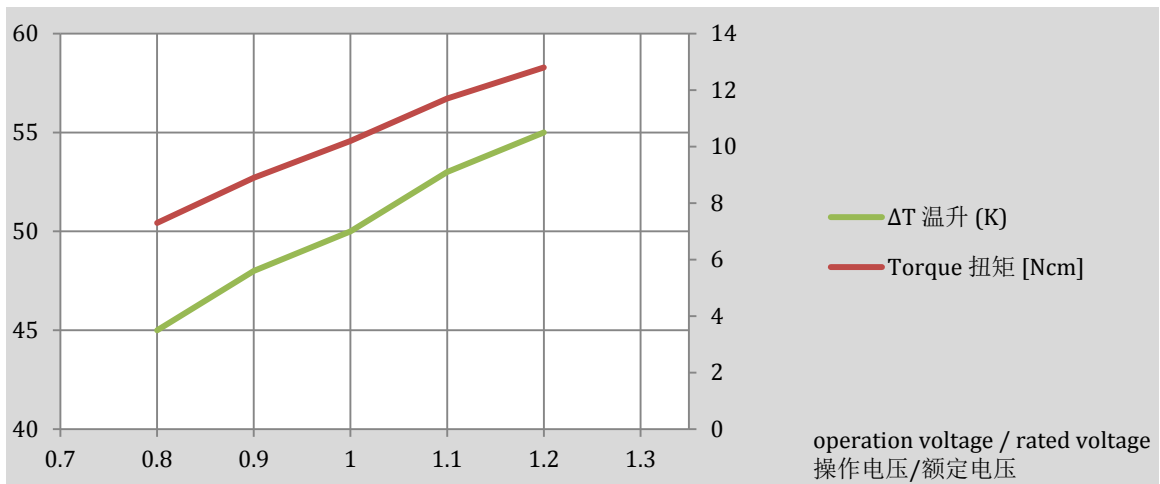


Wiring 58s-12 接线图

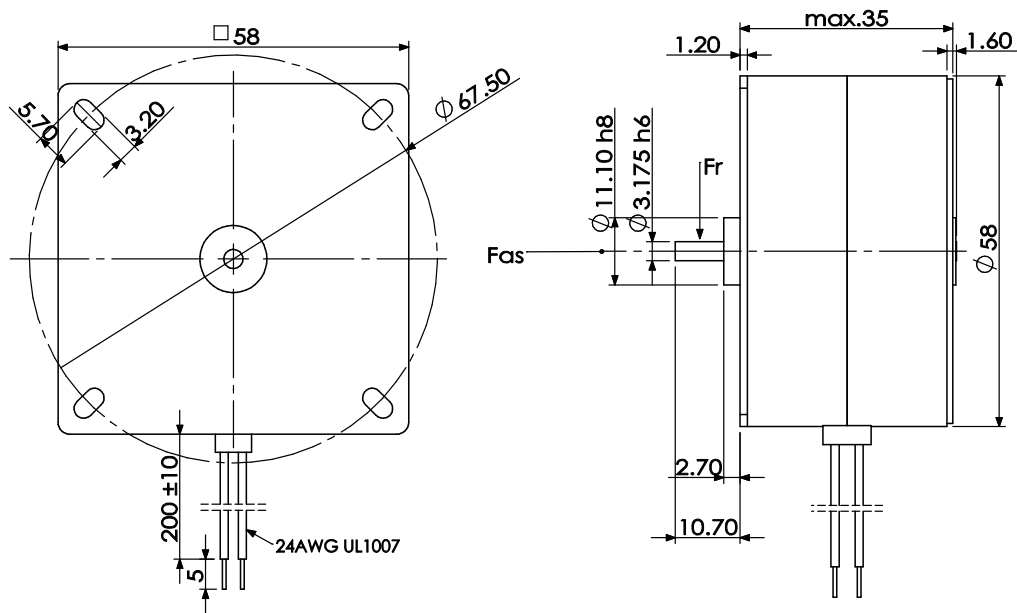
## Synchronous motor 58S-12 同步电机 58S-12



Characteristic curve 58s-12 at 50 Hz 特性曲线@50 Hz



Characteristic curve 58s-12 at 60 Hz 特性曲线@60 Hz



Demension 尺寸图